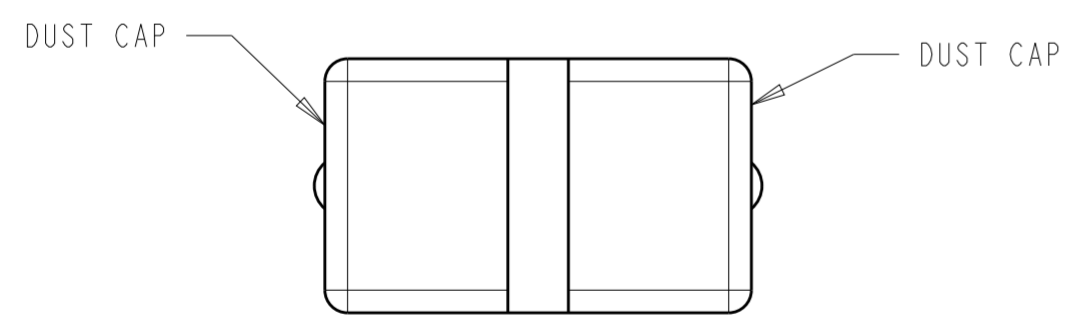
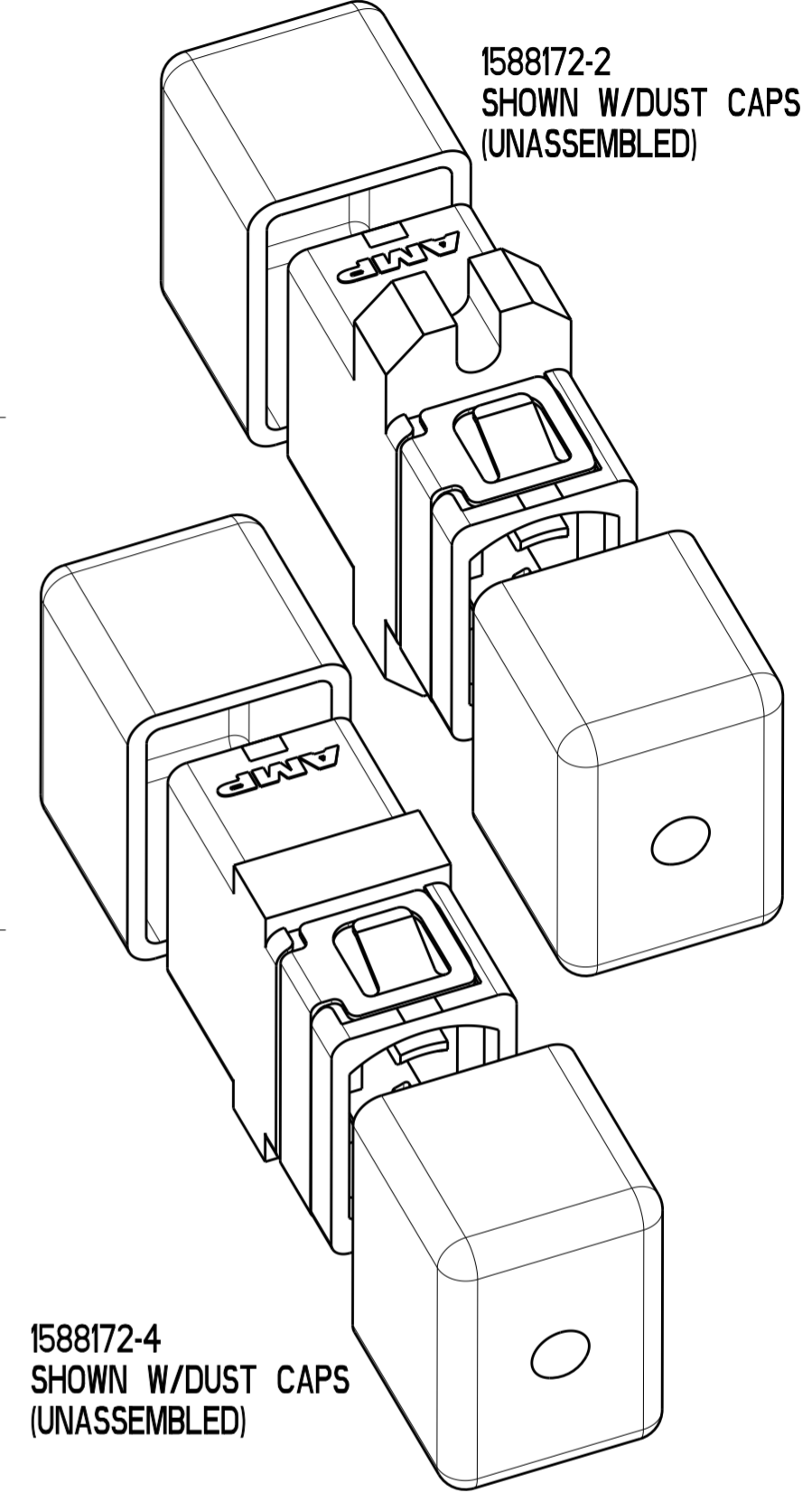
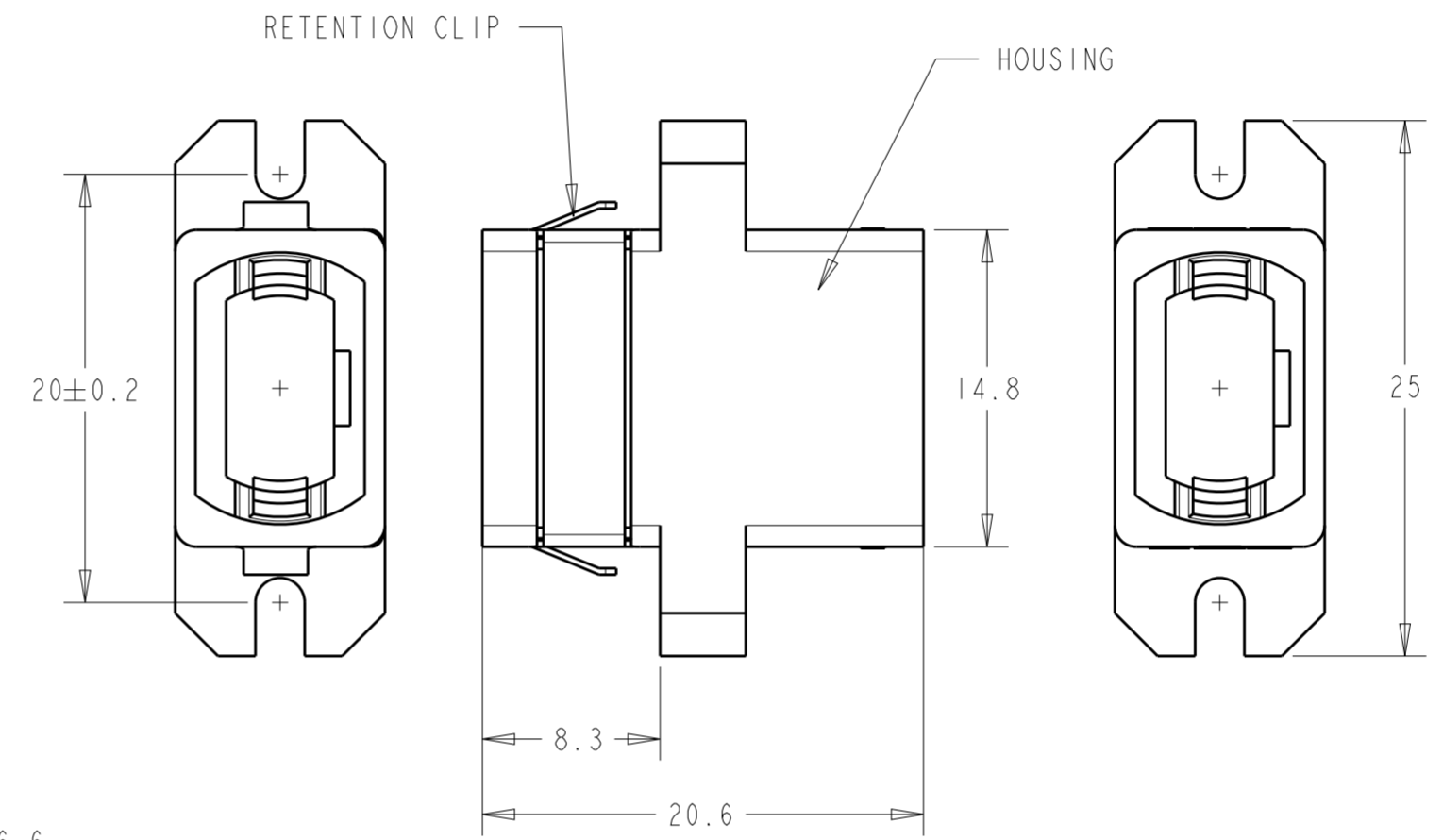
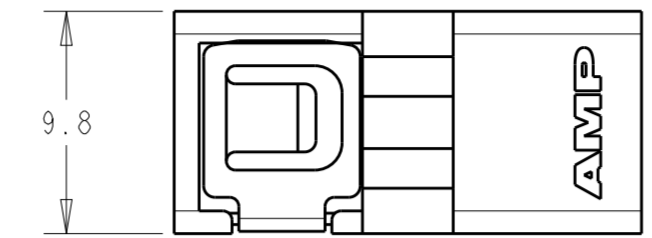
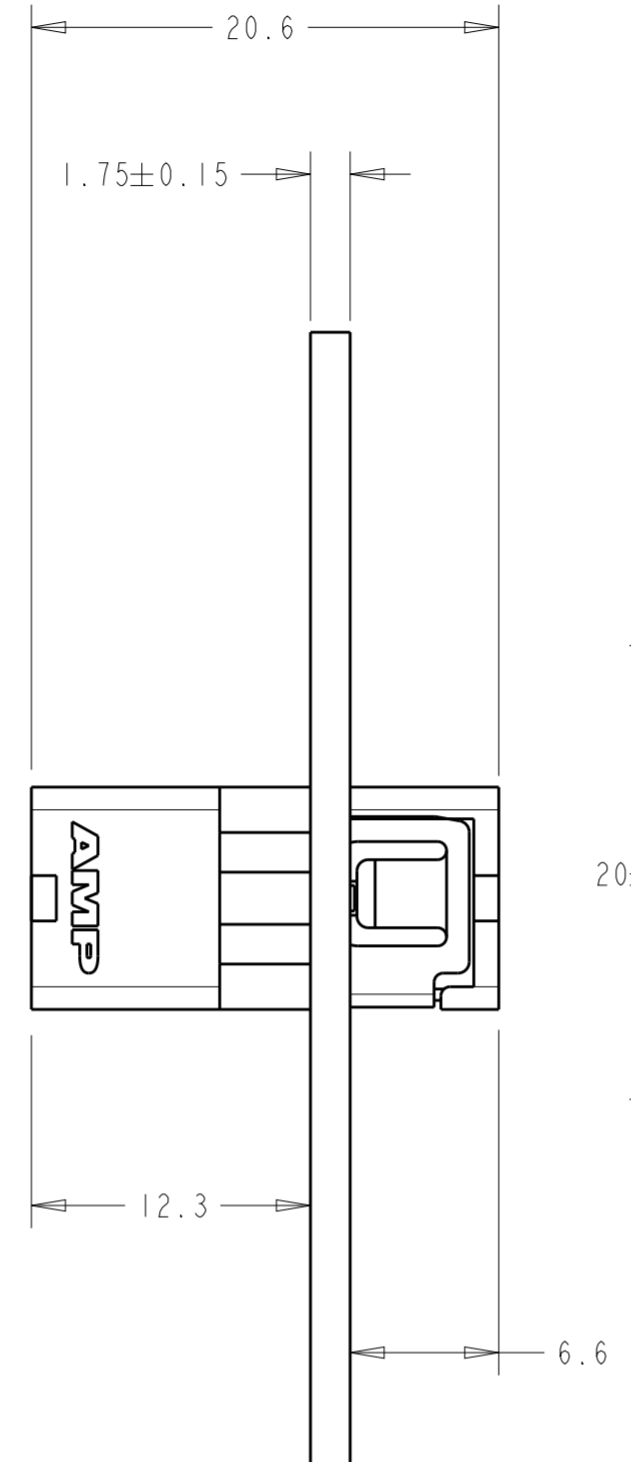
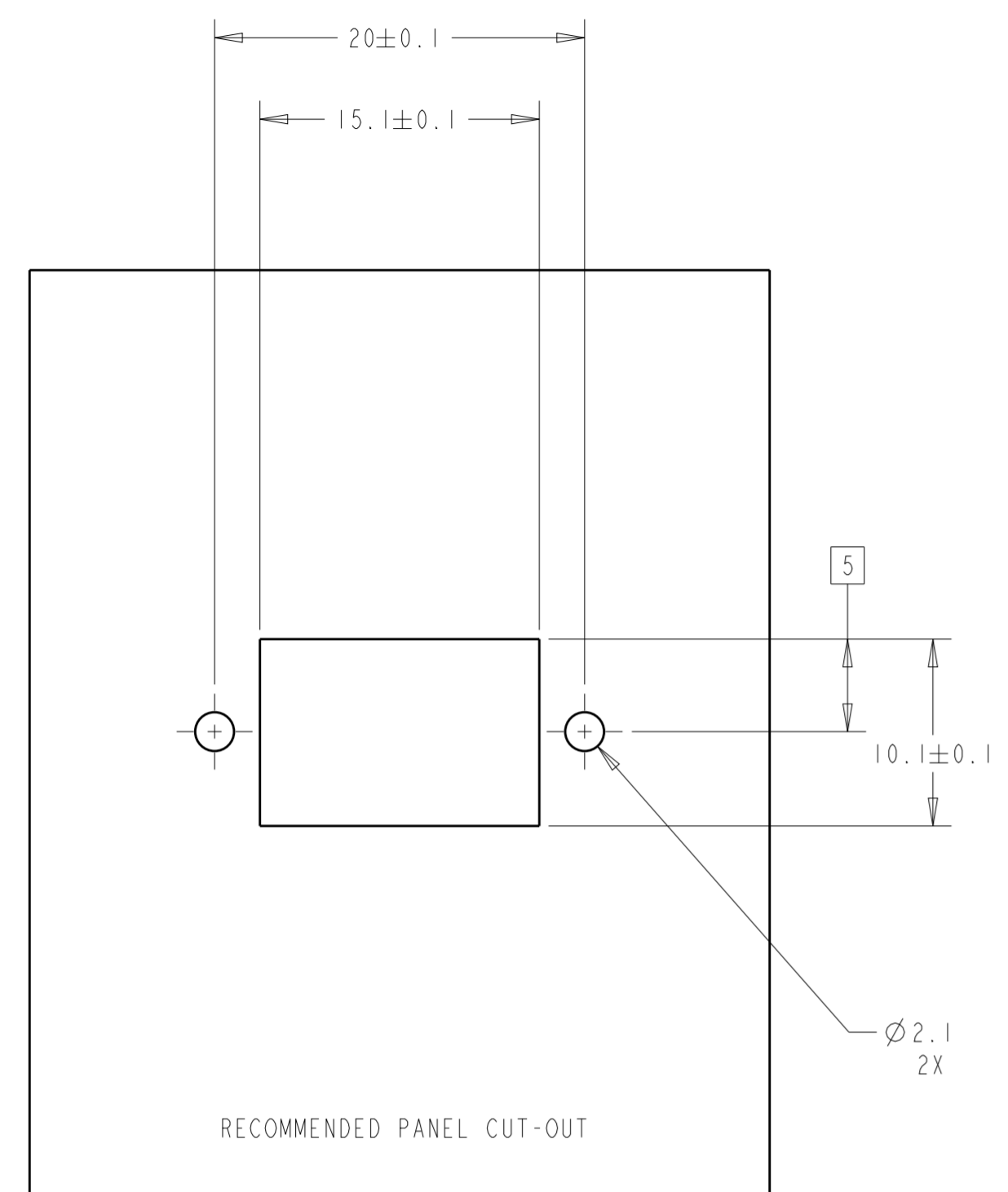
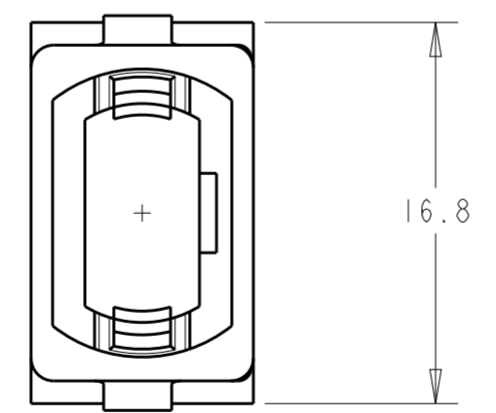


THIS DRAWING IS UNPUBLISHED. RELEASED FOR PUBLICATION 20
 © COPYRIGHT 20 BY - ALL RIGHTS RESERVED.

LOC	DIST	REVISIONS					
CE	16	P	LTR	DESCRIPTION	DATE	DWN	APVD
		D		REL PER EC 0A00-0174-05	26APR05	LGE	FA
		E		REV PER ECO-12-017185	03OCT2012	JB	TE



1588172-3
 (WITHOUT FLANGE)
 SHOWN W/DUST CAPS
 ASSEMBLED



1588172-3
 (WITHOUT FLANGE)

1588172-4
 (WITHOUT FLANGE)
 (WITH CLIP)

WHITE STRIPE FOR
 CONNECTOR ORIENTATION

- NOTES:
1. MOUNTS IN 1.75mm BULKHEAD.
 2. (OPTIONAL) USE #2 SCREWS AND NUTS (NOT PROVIDED).
 3. MEETS THE ADAPTER INTERFACE DIMENSIONS AS SPECIFIED IN IEC 61754-7.
 4. COLOR: BLACK
- 5 BULK PACK 50 PCS.

MPO ADAPTER W/O FLANGE	I-1588172-1
MPO ADAPTER W/FLANGE	I-1588172-0
MPO ADAPTER W/FLANGE, AND CLIP	1588172-9
MPO ADAPTER W/O FLANGE W/ CLIP	1588172-8
MPO ADAPTER W/O FLANGE	1588172-7
MPO ADAPTER W/ FLANGE AND CLIP	1588172-6
MPO ADAPTER W/ FLANGE	1588172-5
MPO ADAPTER W/O FLANGE AND W/CLIP	1588172-4
MPO ADAPTER W/O FLANGE	1588172-3
MPO ADAPTER W/FLANGE, AND CLIP	1588172-2
MPO ADAPTER W/FLANGE	1588172-1

THIS DRAWING IS A CONTROLLED DOCUMENT.		DWN LG EB 06DEC2001	TE Connectivity	
DIMENSIONS: mm		CHK D. ROHDE 06DEC2001		
TOLERANCES UNLESS OTHERWISE SPECIFIED:		APVD F. ABENDSCHEIN 06DEC2001	NAME MPO ADAPTER ASSY, RETENTION CLIP AND PANEL ASSY.	
0 PLC ±.1		PRODUCT SPEC -	SIZE A2	
1 PLC ±.1		APPLICATION SPEC -	CAGE CODE 00779	DRAWING NO. C-1588172
2 PLC ±.05		WEIGHT -	RESTRICTED TO -	
3 PLC ±.		CUSTOMER DRAWING	SCALE NTS	SHEET 1 OF 1
4 PLC ±.				REV E
ANGLES ±.				
FINISH -				