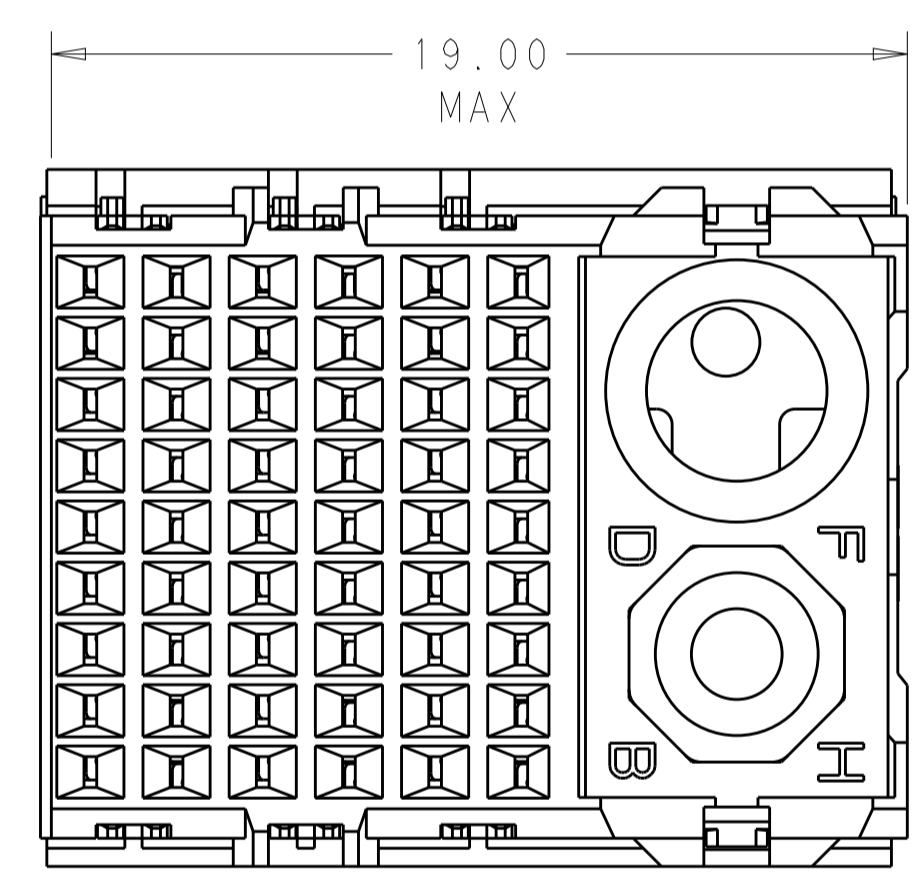
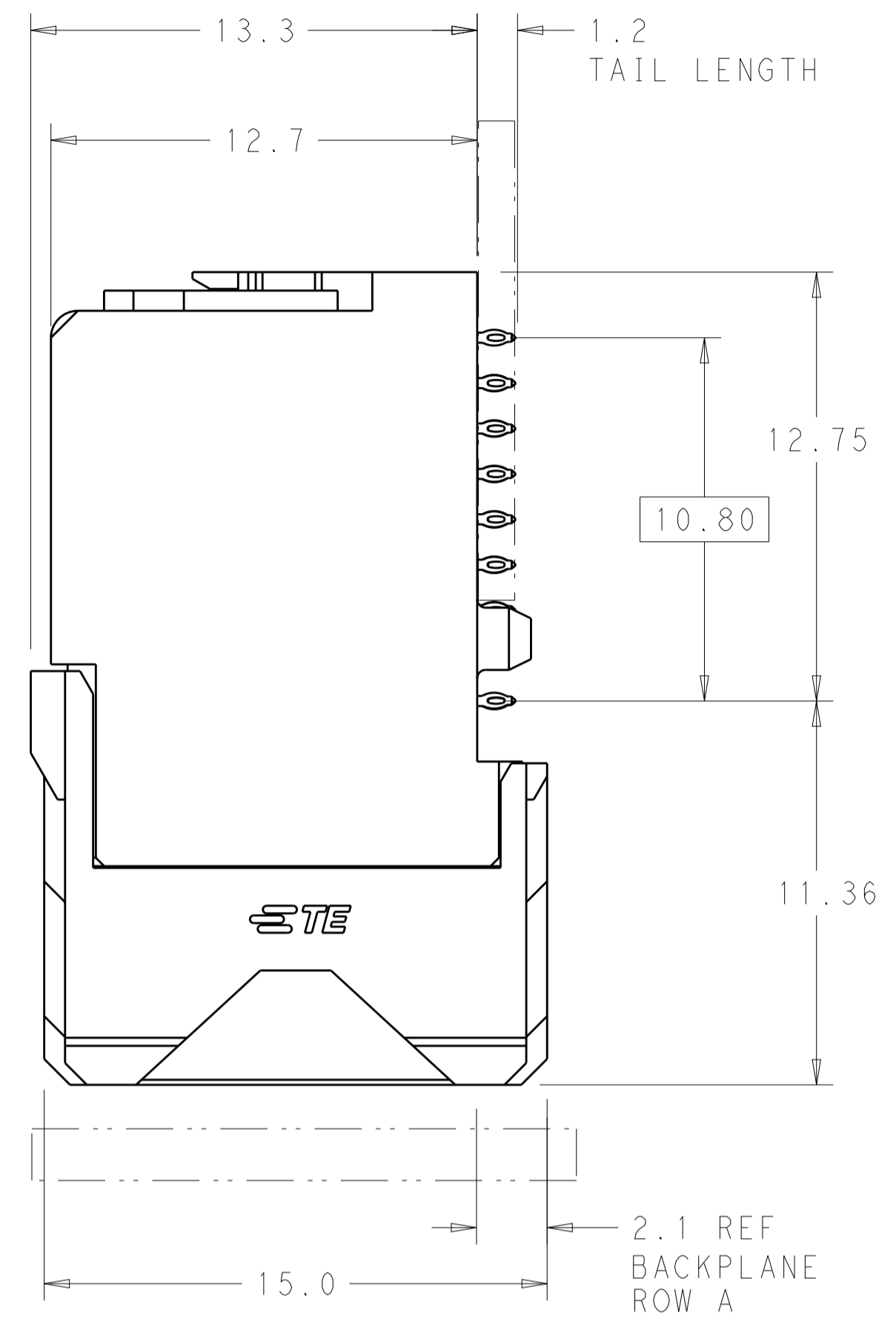
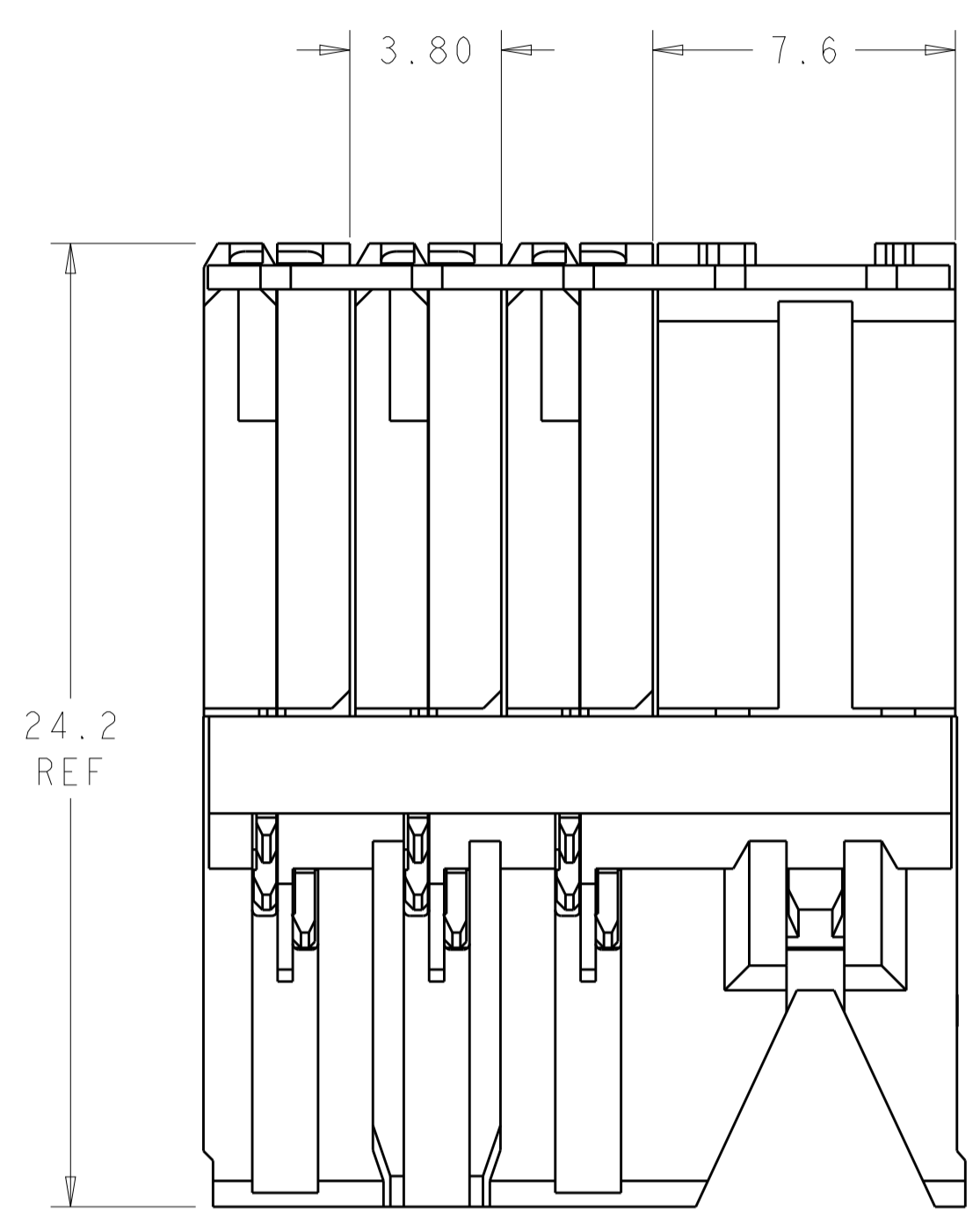
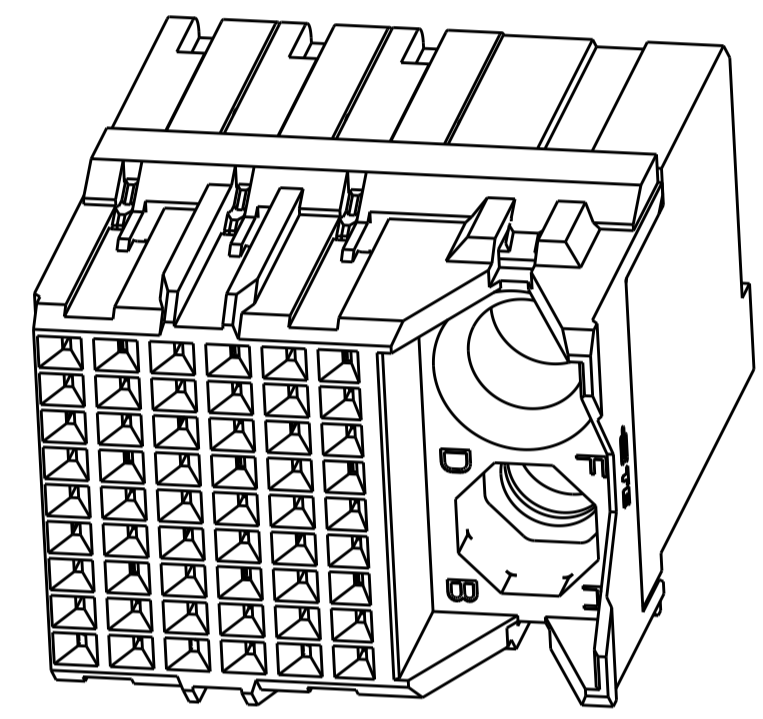


LOC		DIST		REVISIONS			
AD	00	P	LTH	DESCRIPTION	DATE	DWN	APVD
		B1		REVISED PER ECO-14-018035	11MAR2015	AP	DD



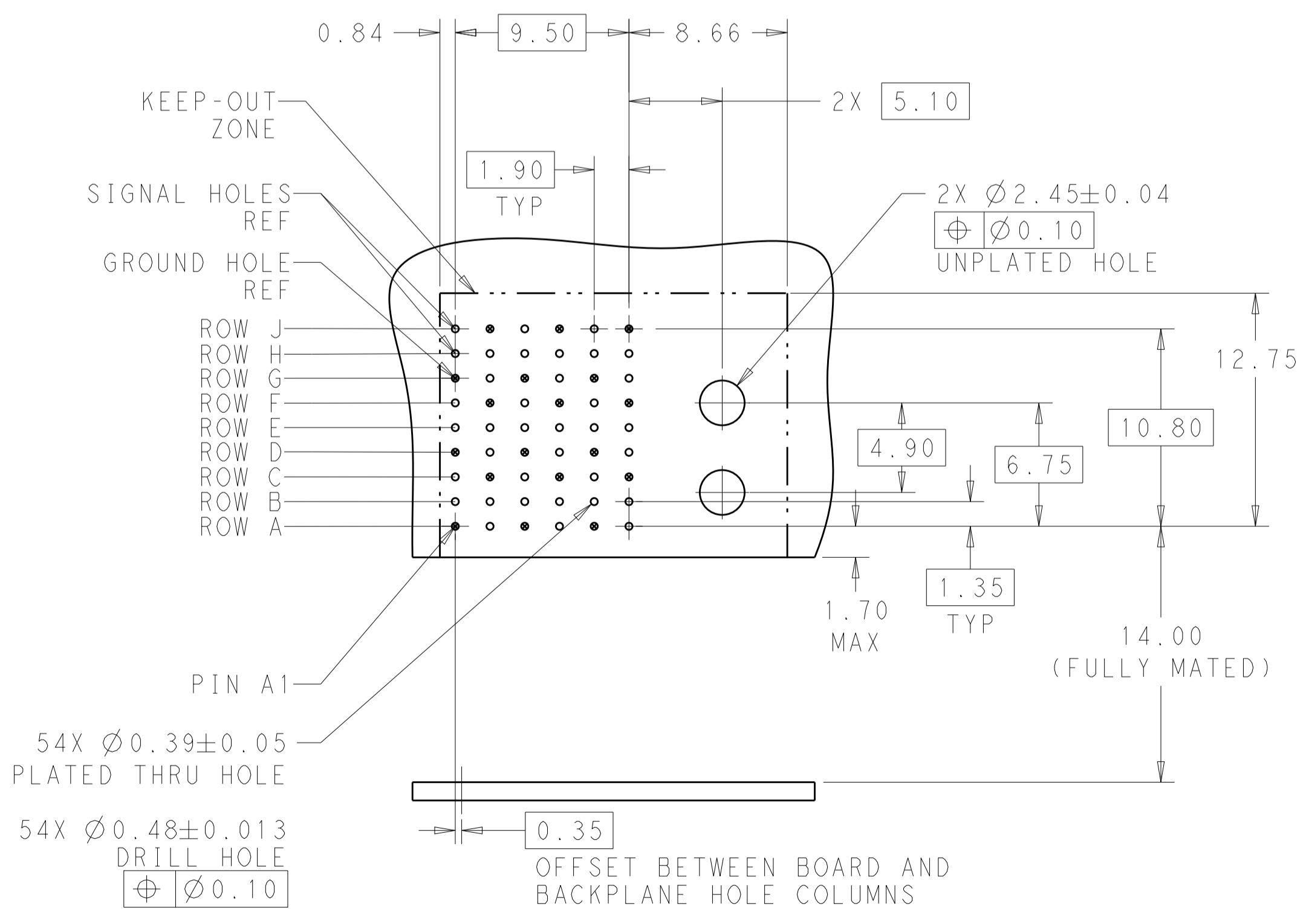
- ⚠ MATERIAL:
HOUSING: LCP, GLASS FILLED, UL94V-0.
TERMINALS: HIGH PERFORMANCE COPPER ALLOY.
- ⚠ FINISH:
30μ" SELECTIVE GOLD IN CONTACT AREA. SELECTIVE TIN ON PCB TAILS, NICKEL OVERALL.
- 3. CONNECTORS SUPPLIED WITH MOUNTING SCREW.



SCALE 4:1

REFER TO WWW.TE.COM FOR PRODUCT AVAILABILITY

KEY POSITION CHART	
	NONE



RECOMMENDED PCB LAYOUT
 MIN BOARD THICKNESS 1.0

KEY POSITION	FINISH	PART NUMBER
H	⚠	8-2132499-1
G	⚠	7-2132499-1
F	⚠	6-2132499-1
E	⚠	5-2132499-1
D	⚠	4-2132499-1
C	⚠	3-2132499-1
B	⚠	2-2132499-1
A	⚠	1-2132499-1
NONE	⚠	2132499-1

THIS DRAWING IS A CONTROLLED DOCUMENT. DWN J.K. SHOBER 04FEB2011
 CHK D. DIXON 04FEB2011
 APVD D. DIXON 04FEB2011

STE TE Connectivity

NAME: IMPACT, 3 PAIR, DAUGHTERCARD
 6 COLUMN, RIGHT GUIDED, SIGNAL
 MODULE, 0.39 EYELET

SIZE: A1 CAGE CODE: 2132499 DRAWING NO: 100779 ©=2132499

MATERIAL: SEE TABLE FINISH: SEE TABLE WEIGHT: -

Customer Drawing SCALE: 6:1 SHEET: 1 OF 1 REV: B1