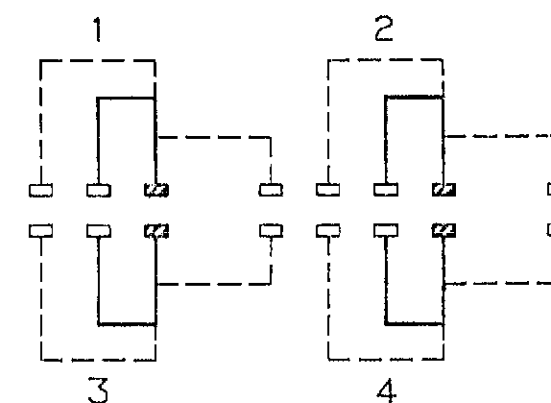
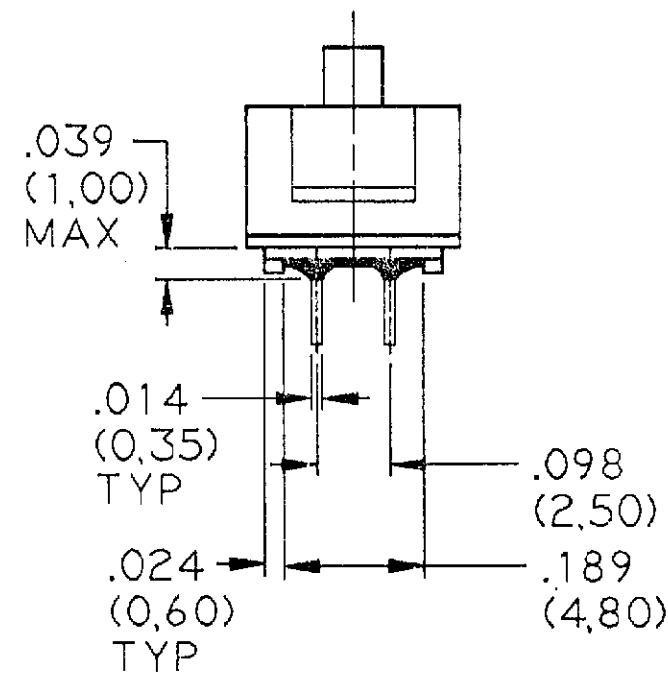
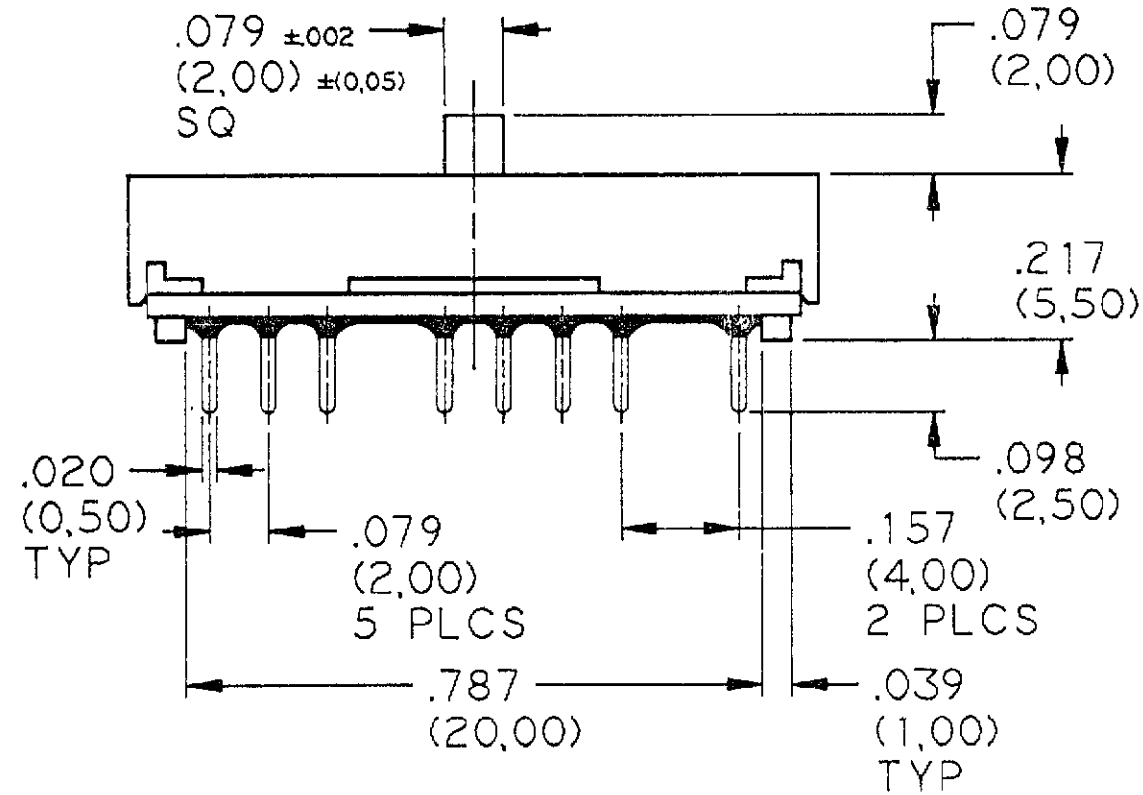
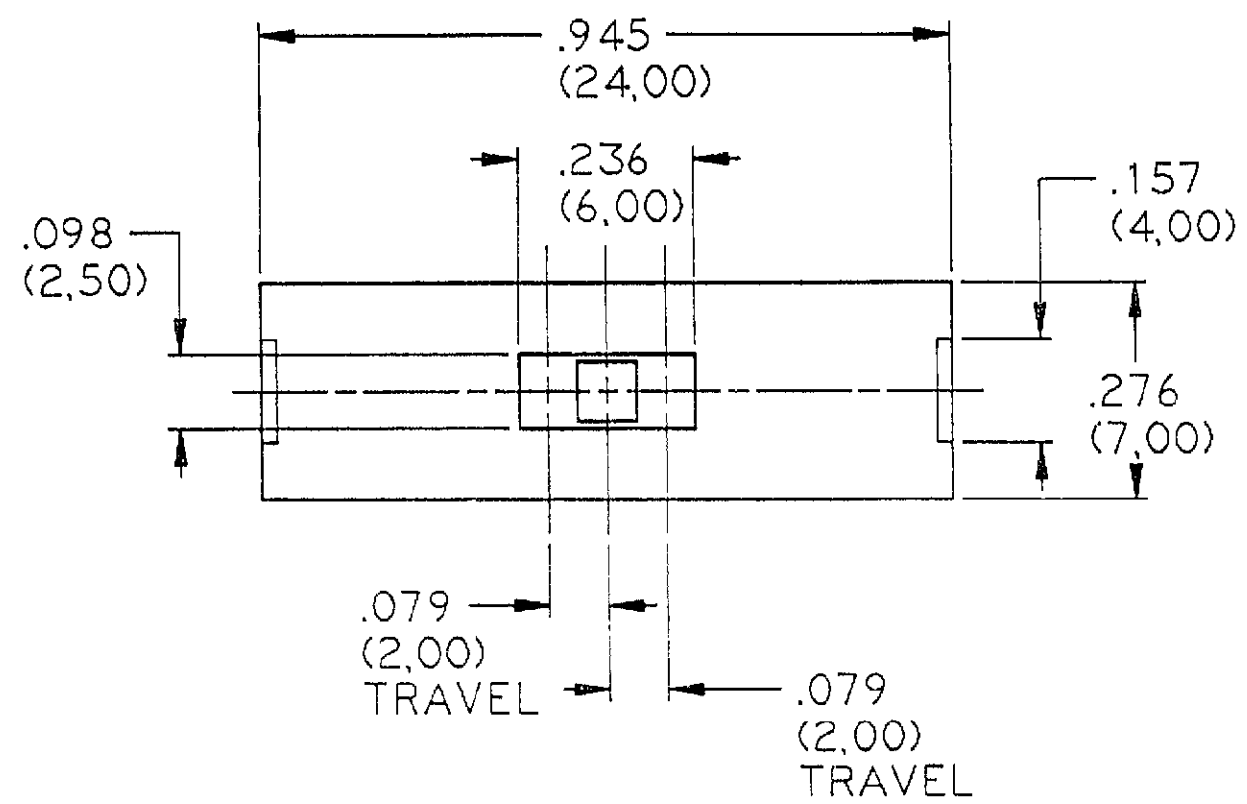
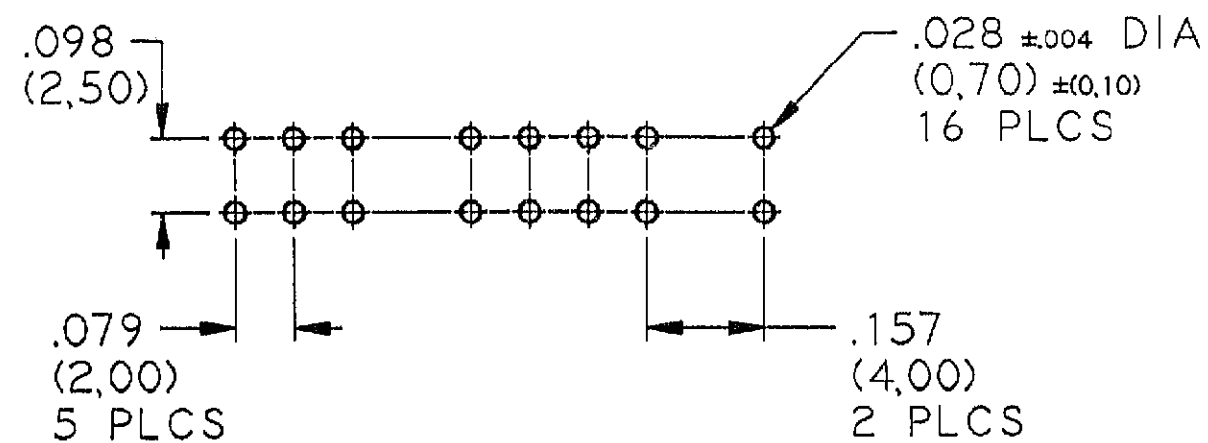


SPECIFICATIONS:

CONTACT RATING: 100 MA AT 30 VDC.
 GOLD: 0.4 VA MAX. AT 20 VDC OR PEAK AC.
 INITIAL CONTACT RESISTANCE: 30 MILLIOHMS MAX.
 INSULATION RESISTANCE: 100 MEGOHMS MINIMUM.
 DIELECTRIC STRENGTH: 500 VOLTS RMS AT SEA LEVEL.
 LIFE EXPECTANCY: 10,000 OPERATIONS.
 CONTACTS: MOVING - PHOSPHOR BRONZE
 FIXED - BRASS
 CONTACTS AND TERMINALS: SILVER PLATE OR OPTIONAL
 GOLD PLATE OVER NICKEL.
 TERMINAL SEAL: INCLUDED, NO EXTRA CHARGE.



CIRCUIT DIAGRAM



PC HOLE LAYOUT

TOLERANCES UNLESS OTHERWISE NOTED.
 INCH (MM)
 DECIMAL .XXX ±.012 ±(0.30)
 FRACTIONAL X/X ±.004
 ANGULAR ±3°

THIRD ANGLE PROJECTION REFER TO ANSI Y14.5M-1982 FOR DWG. INTERPRETATION

DO NOT SCALE DRAWING

DRAWN: J.G.B.	DATE: 9/26/88	DRAWING STATUS: <input type="checkbox"/> PRELIMINARY
CHKD: C.W.K.	10/13/88	<input type="checkbox"/> QUOTE
ENGR: J.B.	10/13/88	<input type="checkbox"/> PROTOTYPE
		<input type="checkbox"/> PRE-PRODUCTION
		<input type="checkbox"/> RELEASE

DATA BASE: ESRD686
 MATL.

SEE SPECIFICATIONS

ALCO CONFIDENTIAL
 This document contains information which is the exclusive property of Alco Electronics Products Div. Distribution, reproduction or use by others is not permitted without the express written consent of Alco Electronics Products Div.

A	ESRD686	9/26/88	CWA	JB
REV.	E.C.O.		CHK.	APP.

ALCO SWITCH
 Quality and Innovation
 1551 Dogood St.
 No. Andover Md. U.S.A. 21845
 TEL. (417)686-4371
 FAX (417)686-9545

TITLE: SLIDE SWITCH
 MMS-43

SIZE: C	PROD. LINE	DWG. NO.: 80857	REV.: A
SCALE: 4/1	SHEET: 1 OF 1	COMPUTER GENERATED DRAWING	