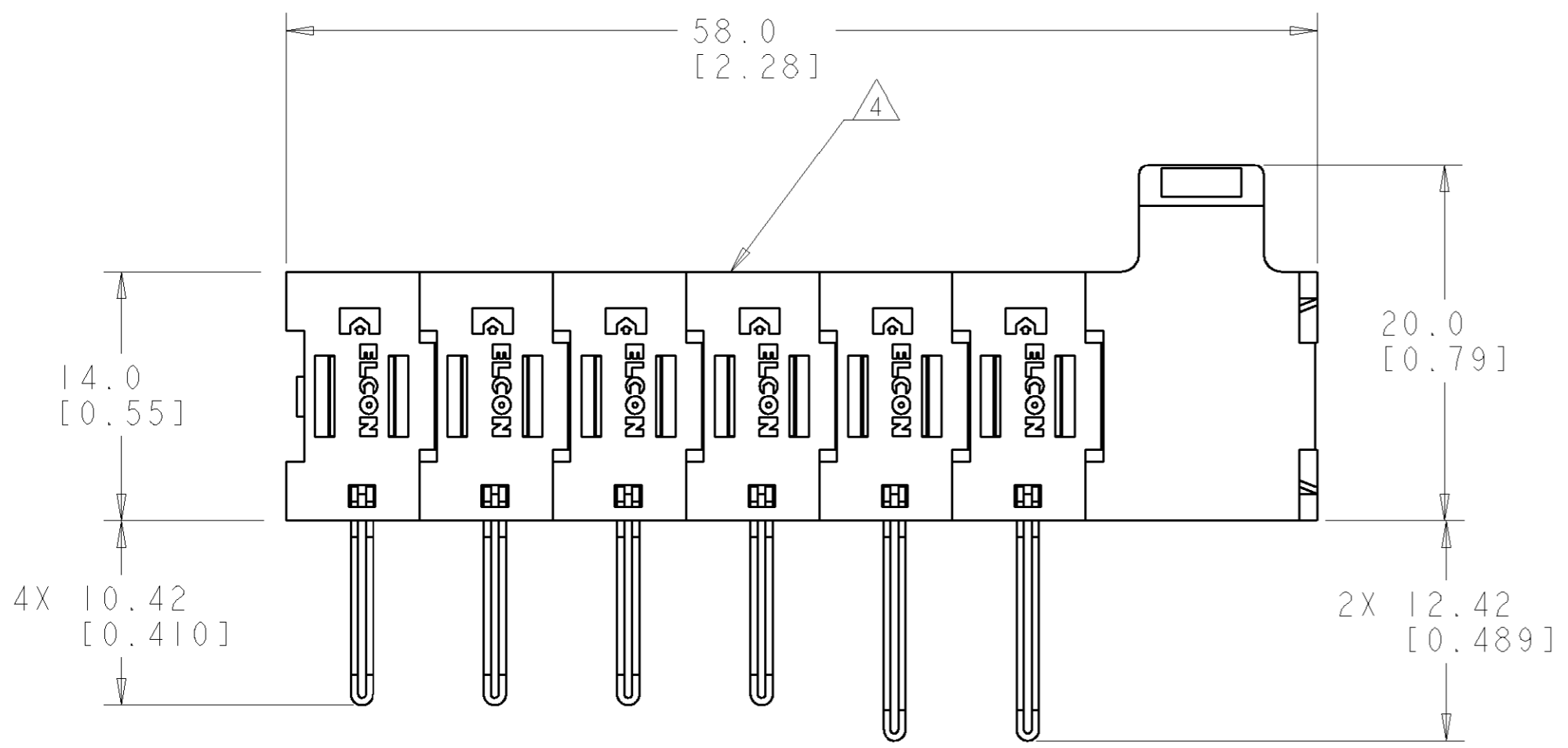


THIS DRAWING IS UNPUBLISHED. RELEASED FOR PUBLICATION 20
 © COPYRIGHT 20 BY TYCO ELECTRONICS CORPORATION. ALL RIGHTS RESERVED.

LOC	DIST	REVISIONS					
GP	00	P	LTR	DESCRIPTION	DATE	DWN	APVD
		A		NEW RELEASE	01MAR2007	RG	PD



- PART NUMBER CHANGES AND OR DESIGN CHANGES AFFECTING ITEM INTERCHANGEABILITY REQUIRE PRIOR TYCO APPROVAL AND AUTHORIZATION BY REVISION TO THIS DRAWING.
- MATERIAL:
 - INSULATORS - THERMOPLASTIC, GLASS REINFORCED, COLOR: BLACK, UL94V-0 FLAMMABILITY RATED.
 - POWER CONTACTS - PHOSPHOR BRONZE ALLOY, COPPER ALLOY
 - CROWN BANDS - BERYLLIUM COPPER ALLOY
 - SIGNAL CONTACTS - BRASS ALLOY
- FINISH:
 - CONTACTS - GOLD PLATE .76µm MIN. THK. OVER NICKEL 1.27µm MIN. THK.
 - SOLDER TAILS TIN 3.05µm MIN. THK. OVER NICKEL 1.27µm MIN. THK.

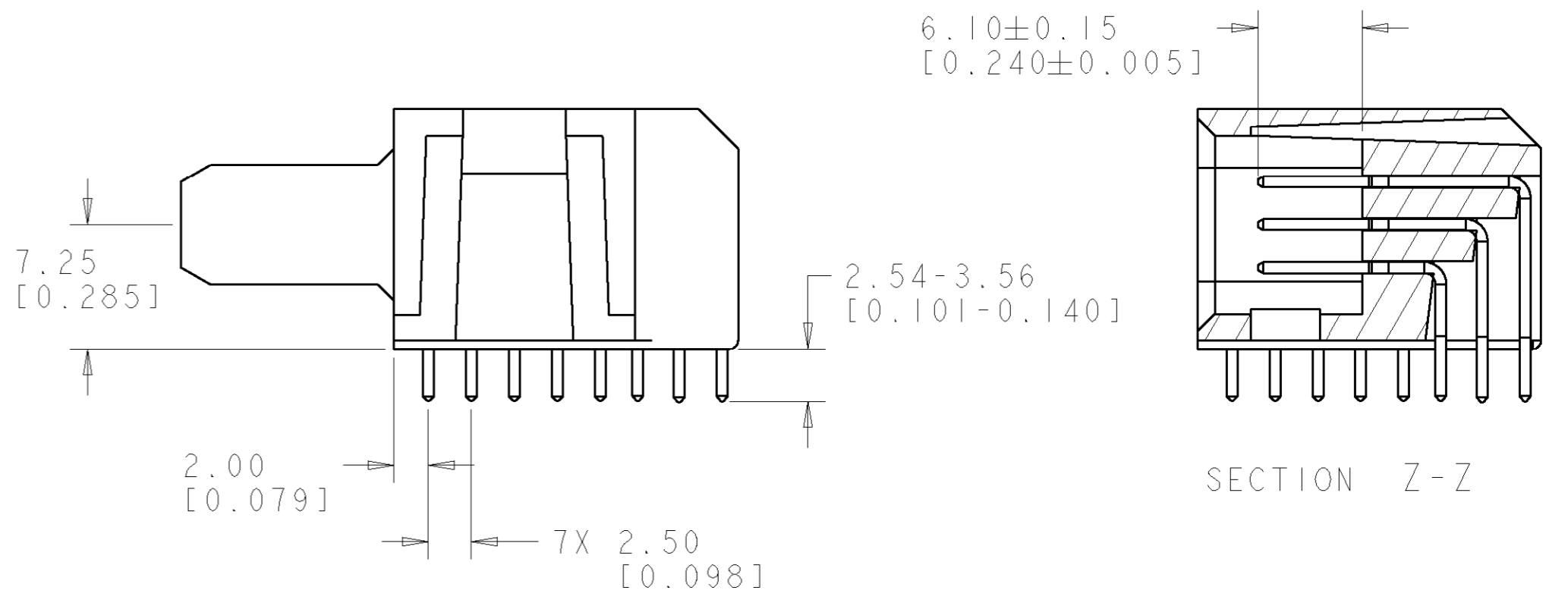
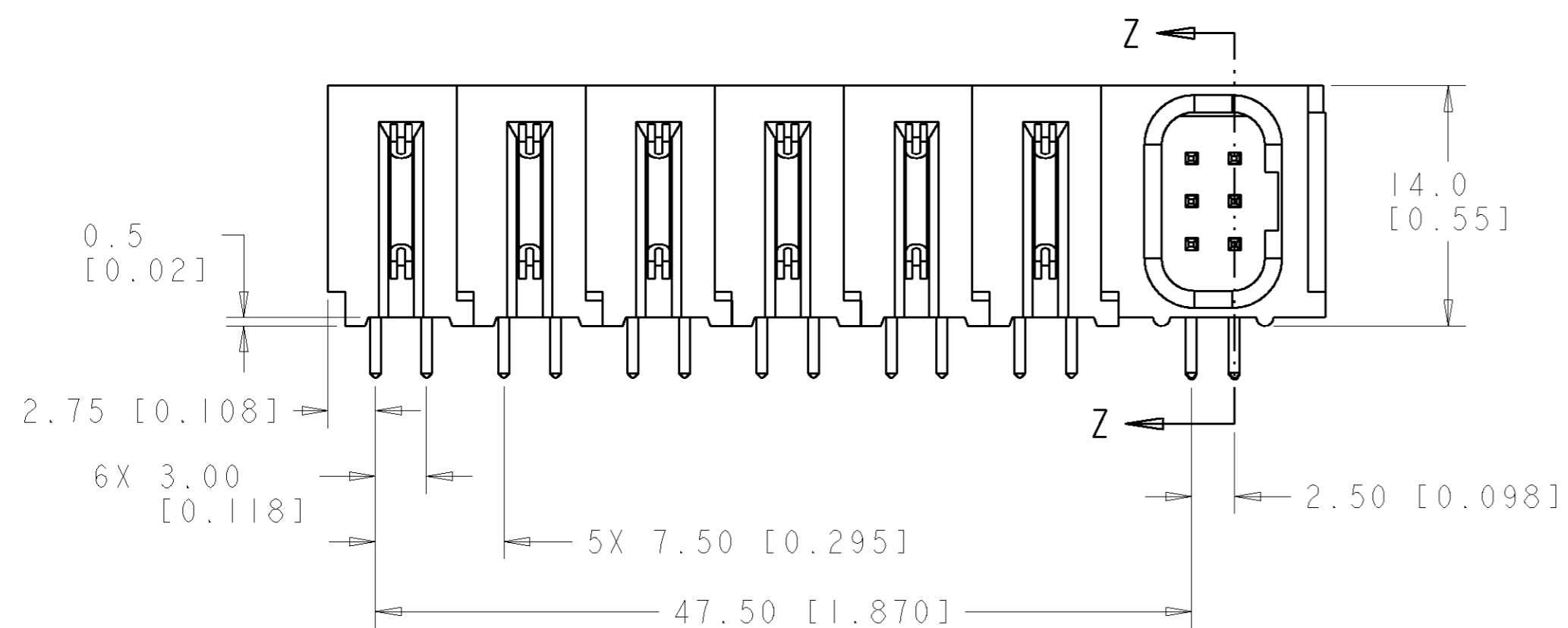
△ ITEMS PROVIDED TO THIS SPECIFICATION TO BE PERMANENTLY IDENTIFIED PER THE FOLLOWING IDENTIFIER LABEL

YEAR | WEEK

TYCO PART NO. & REV DATE CODE (e.g. 0106)

XXXXXXXX-X XXXX

5. CONNECTOR MATES WITH 1926428-1

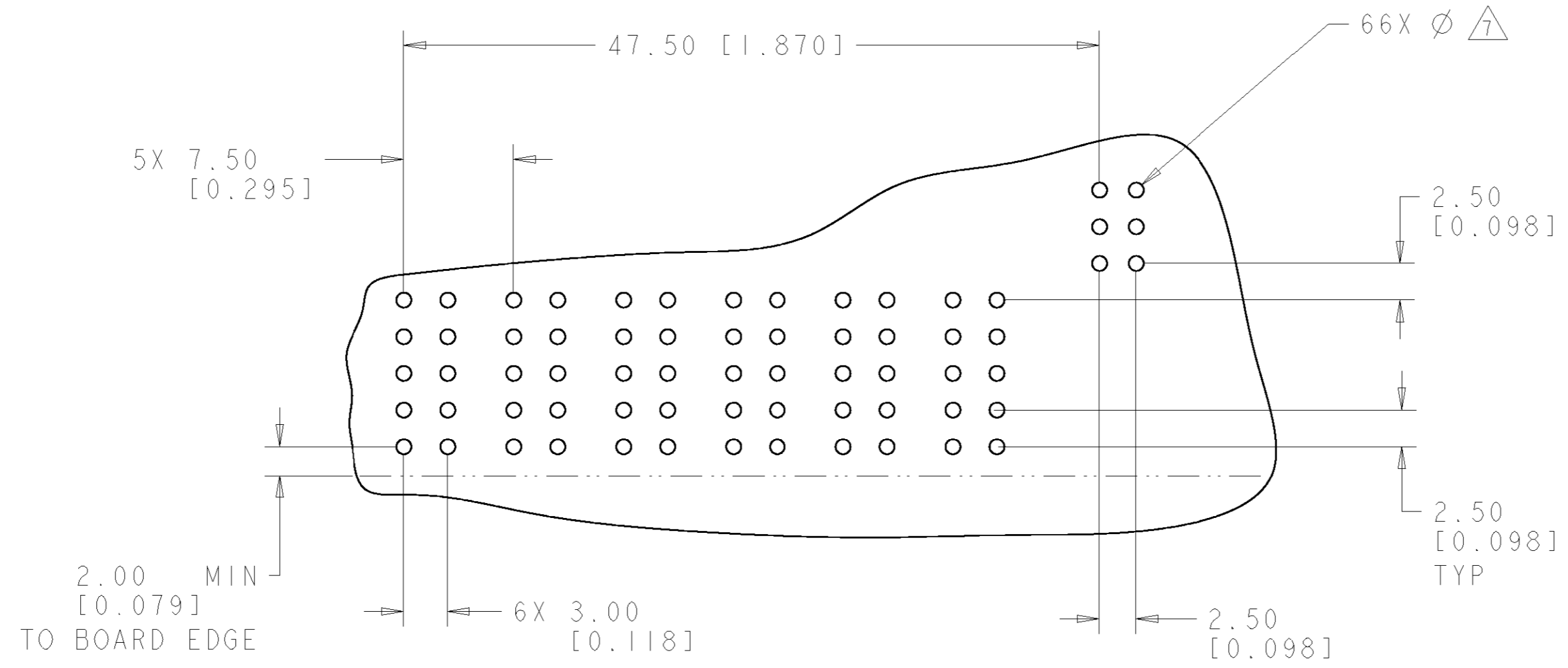


ELCON FLATPAQ

THIS DRAWING IS A CONTROLLED DOCUMENT FOR TYCO ELECTRONICS CORPORATION. IT IS SUBJECT TO CHANGE AND THE CONTROLLING ENGINEERING ORGANIZATION SHOULD BE CONTACTED FOR THE LATEST REVISION.		DWN R. GRZYBOWSKI 01MAR07	AS SHOWN	1926427-1
DIMENSIONS: mm [INCHES]		CHK P. DAMATO 01MAR07	DESCRIPTION	PART NUMBER
TOLERANCES UNLESS OTHERWISE SPECIFIED:		APVD S. FLICKINGER 01MAR07	Tyco Electronics Harrisburg, PA 17105-3608	
0 PLC ±.5 [.020] 1 PLC ±.25 [.010] 2 PLC ±.25 [.010] 3 PLC ±.25 [.010] 4 PLC ±.25 [.010] ANGLES ±.5 FINISH		NAME		
MATERIAL		PRODUCT SPEC	PIN CONNECTOR, RIGHT ANGLE, SOLDER TAILS	
		APPLICATION SPEC	SIZE	CAGE CODE
		WEIGHT	A200779	1926427
		CUSTOMER DRAWING	DRAWING NO	RESTRICTED TO
		SCALE 3:1	SHEET 1 OF 3	REV A

THIS DRAWING IS UNPUBLISHED. RELEASED FOR PUBLICATION 20
 © COPYRIGHT 20 BY TYCO ELECTRONICS CORPORATION. ALL RIGHTS RESERVED.

LOC	DIST	REVISIONS					
GP	00	P	LTR	DESCRIPTION	DATE	DWN	APVD
		-		SEE SHEET 1	-	-	-



PRINTED CIRCUIT LAYOUT
SCALE 3:1

CONNECTOR	CATALOG MODULE #	QTY	SIZE NO.	CONTACT QTY	MATING PIN	MAX. CURRENT (PER CONTACT)	CONTACT SPACING	VOLTAGE RATING
PIN	FP105	4	8	8	1.25 X 7.00 [.049 X .276]	35 amps	7.50 [.2953]	250
	FP106	2	8	4	1.25 X 7.00 [.049 X .276]	35 amps	7.50 [.2953]	250
	FP314	1	22	6	.64 [.025] SQ.	3 amps	2.50 [.0984]	125 VOLTS

THIS DRAWING IS A CONTROLLED DOCUMENT FOR TYCO ELECTRONICS CORPORATION. IT IS SUBJECT TO CHANGE AND THE CONTROLLING ENGINEERING ORGANIZATION SHOULD BE CONTACTED FOR THE LATEST REVISION.

DWN: R. GRZYBOWSKI 01MAR07
 CHK: P. DAMATO 01MAR07
 APVD: S. FLICKINGER 01MAR07

tyco Tyco Electronics
 Harrisburg, PA 17105-3608

NAME: PIN CONNECTOR, RIGHT ANGLE, SOLDER TAILS

SIZE: A2 CAGE CODE: 00779 DRAWING NO: 1926427 RESTRICTED TO: -

DIMENSIONS: mm [INCHES]

TOLERANCES UNLESS OTHERWISE SPECIFIED:

0 PLC	±	.5	[.020]
1 PLC	±	.25	[.010]
2 PLC	±	.25	[.010]
3 PLC	±		
4 PLC	±		

ANGLES: ±.5

MATERIAL: - FINISH: -

WEIGHT: -

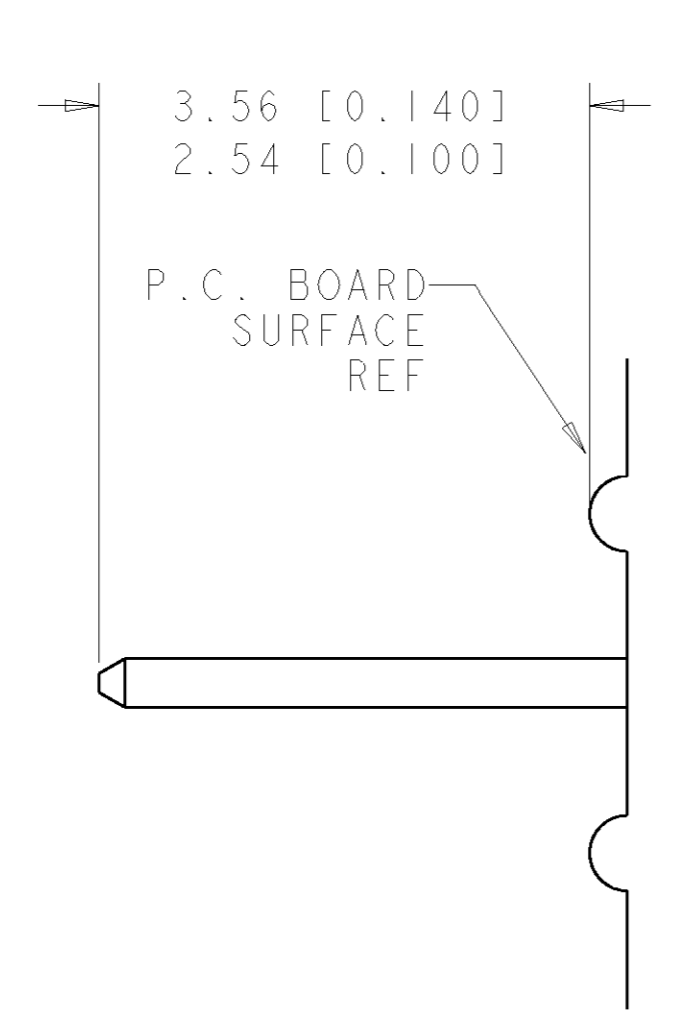
CUSTOMER DRAWING

SCALE: 3:1 SHEET: 2 OF 3 REV: A

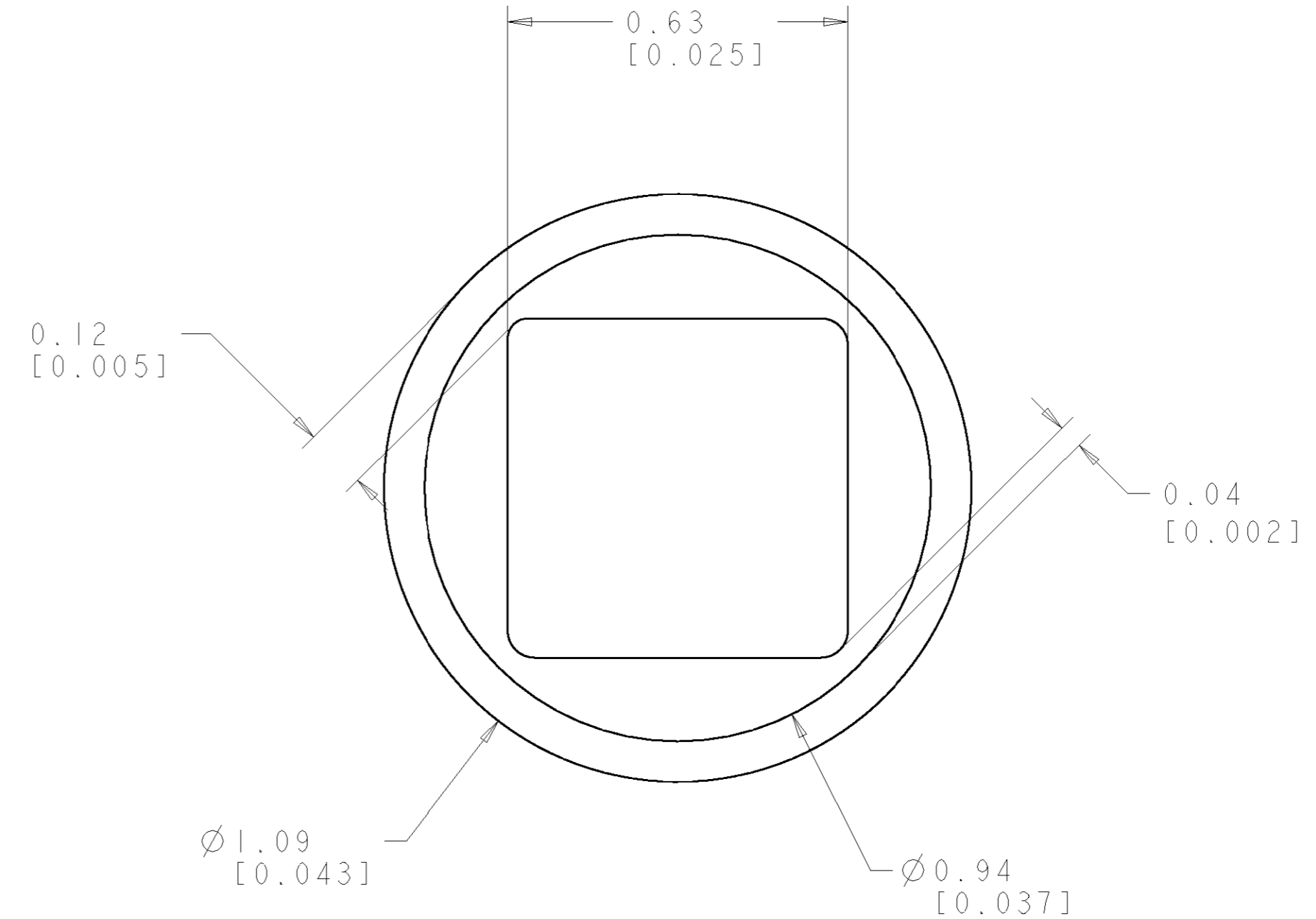
ELCON **FLATPAQ**

THIS DRAWING IS UNPUBLISHED. RELEASED FOR PUBLICATION 20
 © COPYRIGHT 20 BY TYCO ELECTRONICS CORPORATION. ALL RIGHTS RESERVED.

LOC	DIST	REVISIONS					
GP	00	P	LTR	DESCRIPTION	DATE	DWN	APVD
		-		SEE SHEET 1	-	-	-



6. SOLDER TAIL DETAIL
SCALE 10 : 1



7 SOLDER TERMINATION AREA
SCALE 40:1
RECOMMENDED PRINTED CIRCUIT HOLE
SOLDER HOLE
FINISHED HOLE: Ø 1.02 [0.040] ± .08 [0.003]
DRILLED HOLE: Ø 1.15 [0.0453] ± .013 [0.0005]
COPPER PLATE: .025 [0.0010] MIN
TIN PLATE: .008 [0.0003] MIN. (PER SURFACE)

ELCON FLATPAQ

<small>THIS DRAWING IS A CONTROLLED DOCUMENT FOR TYCO ELECTRONICS CORPORATION IT IS SUBJECT TO CHANGE AND THE CONTROLLING ENGINEERING ORGANIZATION SHOULD BE CONTACTED FOR THE LATEST REVISION.</small>		DWN R. GRZYBOWSKI 01MAR07 CHK P. DAMATO 01MAR07 APVD S. FLICKINGER 01MAR07	tyco Tyco Electronics Harrisburg, PA 17105-3608
DIMENSIONS: mm [INCHES]	TOLERANCES UNLESS OTHERWISE SPECIFIED: 0 PLC ± .5 [0.020] 1 PLC ± .5 [0.020] 2 PLC ± .25 [0.010] 3 PLC ± .25 [0.010] 4 PLC ± .25 [0.010] ANGLES ± .5	NAME PIN CONNECTOR, RIGHT ANGLE, SOLDER TAILS	SIZE CAGE CODE DRAWING NO RESTRICTED TO A200779G-1926427 -
MATERIAL	FINISH	PRODUCT SPEC	SCALE 3:1 SHEET 3 OF 3 REV A
		APPLICATION SPEC	
		WEIGHT	
		CUSTOMER DRAWING	