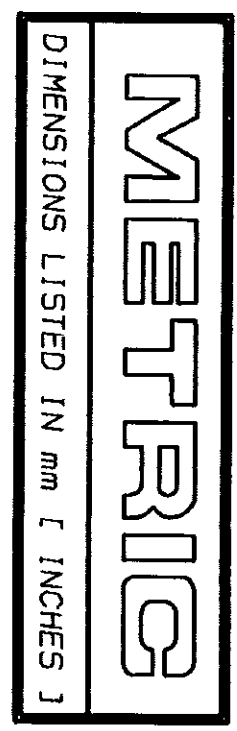
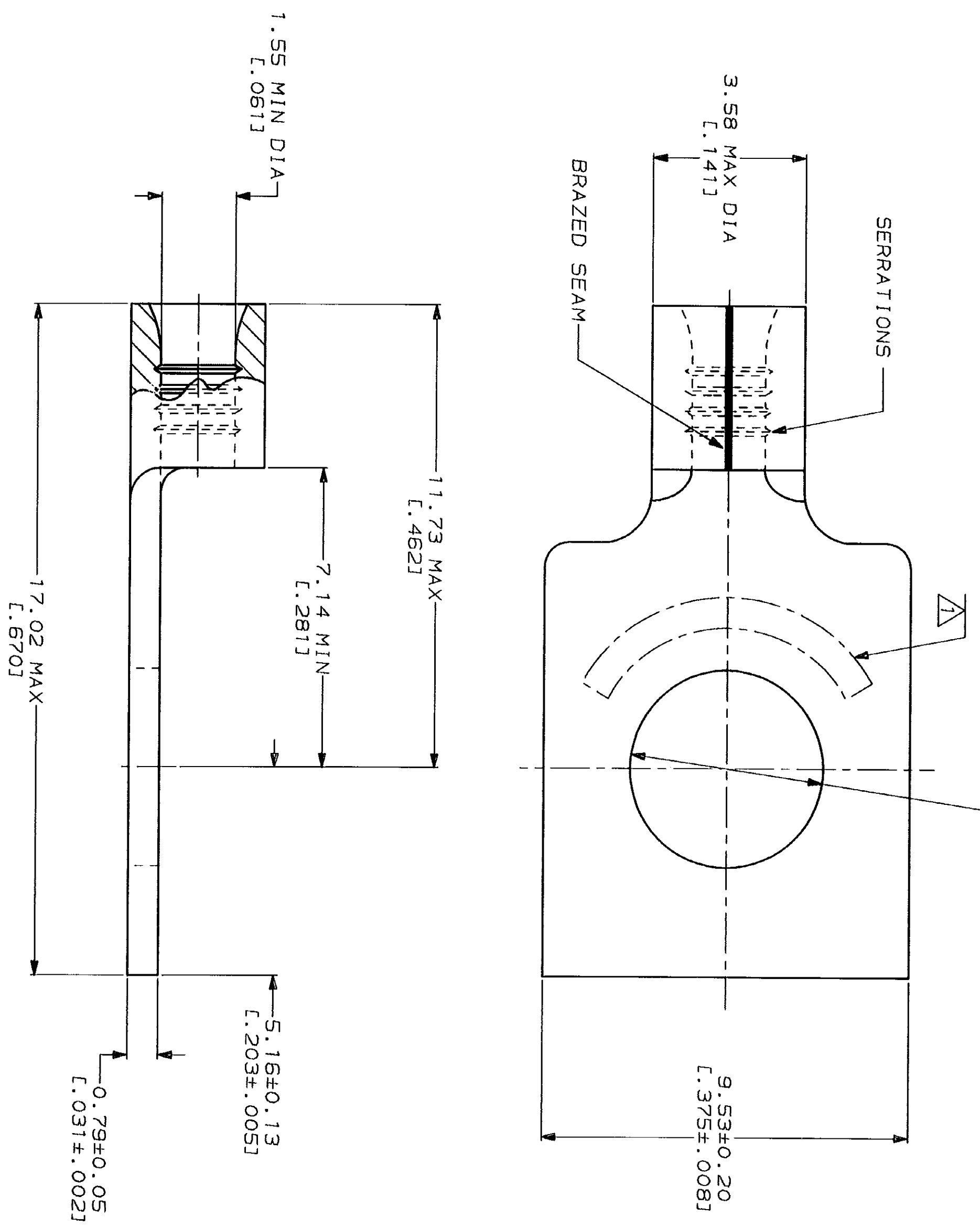


LOC	DIST	REV	ZONE	LTR	DESCRIPTION	DATE	APP
G	14	F			REVISED & REDRAWN PER 0720-0040-93 REACTIVATE 323106 PER 0720-6018-92	3-26-93	YB DAP



AMP WIRE RANGE	UL E13288 Listed
22-16 AWG SOLID OR STRANDED	22-16 AWG SOLID OR STRANDED
LR7189 Certified	MILITARY P/N AND CLASS
22-16 AWG SOLID OR STRANDED	NOT APPLICABLE

STAMP AMP 22-18* APPROX AS SHOWN
22-16 TERMINALS ARE STAMPED 22-18 IN
ACCORDANCE WITH MILITARY SPECIFICATION
MIL-T-7928, COMMERCIAL WIRE RANGE IS 22-16



**AMP INCORPORATED
CUSTOMER SERVICE SYSTEMS**

FOR ADDITIONAL PRODUCT INFORMATION OR COPIES OF DRAWINGS AND TECHNICAL DOCUMENTS	PRODUCT INFORMATION CENTER 1-800-522-6752
FOR APPLICATION TOOLING INFORMATION	TOOLING ASSISTANCE CENTER 1-800-722-1111
FOR ORDER ENTRY	1-800-526-5142

MAX RECOMMENDED OPERATING
TEMPERATURE:
170°C MAX

VOLTAGE RATING:
NOT APPLICABLE

WIRE CROSS SECTIONAL AREA RANGE:
0.26-1.65mm² [509-3,260] CIR MILS
SOLID OR STRANDED

DO NOT SCALE PRINT.
UNLESS SPECIFIED
DIMENSIONS IN mm [INCHES]
TOLERANCES ON:
2 PLC DEC ±
3 PLC DEC ±
ANGLES ±

MATERIAL
COPPER PER
ASTM B-152
ANNEALED

FINISH
TIN PLATE
0.00254 [0.00100] MIN
THK PER MIL-T-10727

DR 3-26-93 TA BRINKMAN	NAME	AMP Incorporated Harrisburg, PA 17105-3608
CHK 3-26-93 DA PATTERSON	PACKAGE TYPE	ON TAPE
APPD 3-26-93 DE MILLER	QUANTITY	5000
APPD 3-26-93 JL MECKLEY	PACKAGE TYPE	L00SE PIECE
PRODUCT SPEC	PART NO	323106
APPLICATION SPEC	SCALE	10:1

TERMINAL, RECTANGULAR
TONGUE, SOLISTRAND™

SIZE	CAGE CODE	DRAWING NO
00779	00779	323106
SCALE	SHEET	1 OF 1