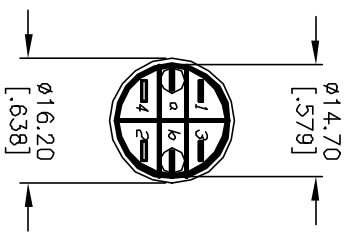
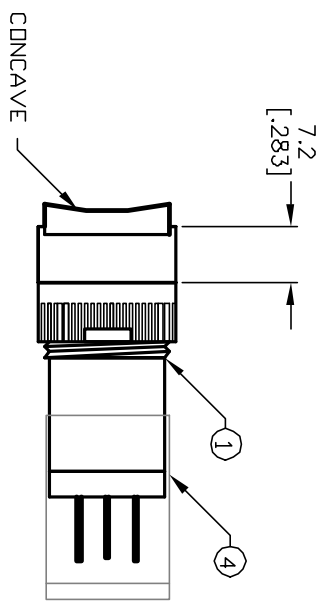
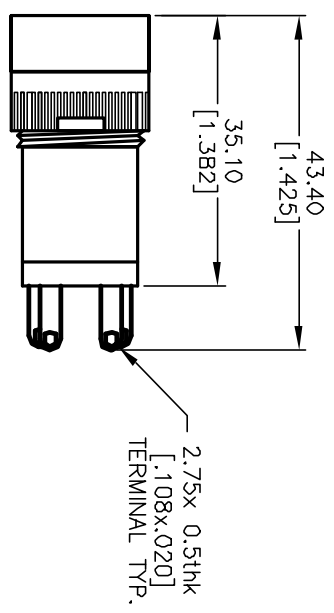
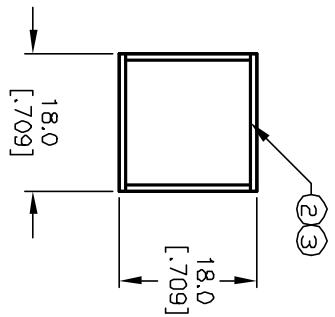
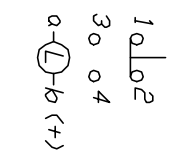


RECOMMEND PANEL MOUNTING



SPST
CONTACT CONFIGURATION

NOTES:

1. ALL DIMENSIONS IN MM [INCH]
2. GENERAL TOLERANCE: X.X=±0.4 X.XX=±0.25
3. TERM. NOS. FOR REFERENCE ONLY.
4. RATING: 5A@250V AC; BA@125V AC
5. MECHANICAL LIFETIME: >2 MILLION OPERATIONS
6. TRAVEL: 3.0MM (TOTAL)
7. CONTACT MATERIAL: COPPER ALLOY W/SILVER PLATING
8. LAMP VOLTAGE: 24V DC

PARTS LIST

| ITEM | QTY. | PART NO. | PART DESCRIPTION |
|------|------|----------|----------------------------------|
| 1 | 1 | F040010 | P16 0A S11 |
| 2 | 1 | F050423 | 50-004-23 (RED L.E.D.) |
| 3 | 1 | F050304 | 50-003-04 (RED LENS TRANSPARENT) |
| 4 | 1 | F051601 | P16 PLASTIC TERMINAL PROTECTOR |



| REV. | ECN No. | DESCRIPTION | DATE | CHKD |
|------|---------|-------------------------|--------|------|
| A | 12576 | RELEASED FOR PRODUCTION | 2/5/03 | CB |

| TITLE | SCALE | DATE | DR | DWG | REV |
|--|-------|------|----|---------|-----|
| P16 0A S11 K RED RED TRANSPARENT /CONCAVE LENS | 1.5:1 | -- | -- | XF0029P | A |

THE INFORMATION CONTAINED IN THIS DOCUMENT IS PROPRIETARY TO E-SWITCH AND IS NOT TO BE COPIED OR TRANSFERRED