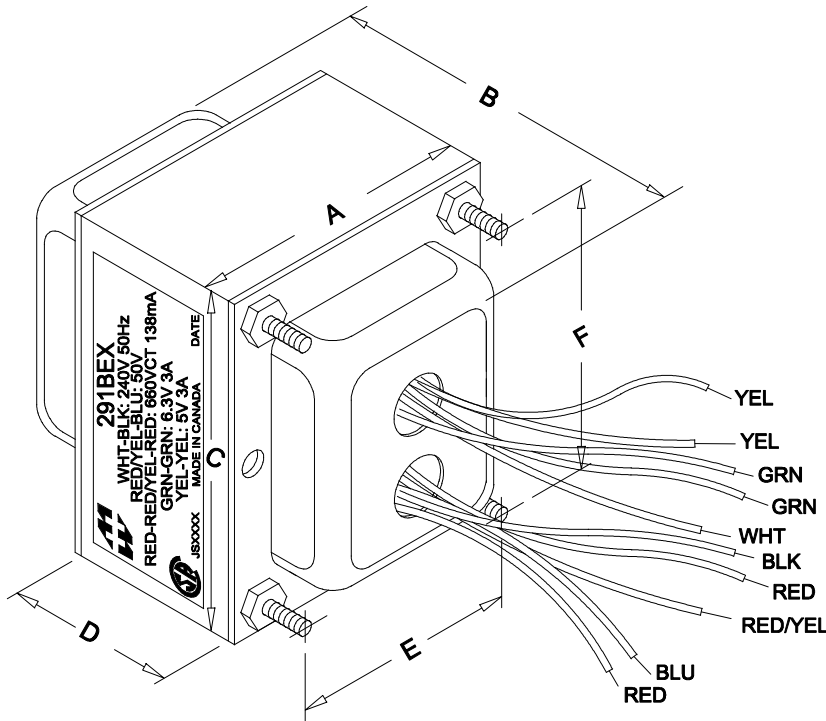


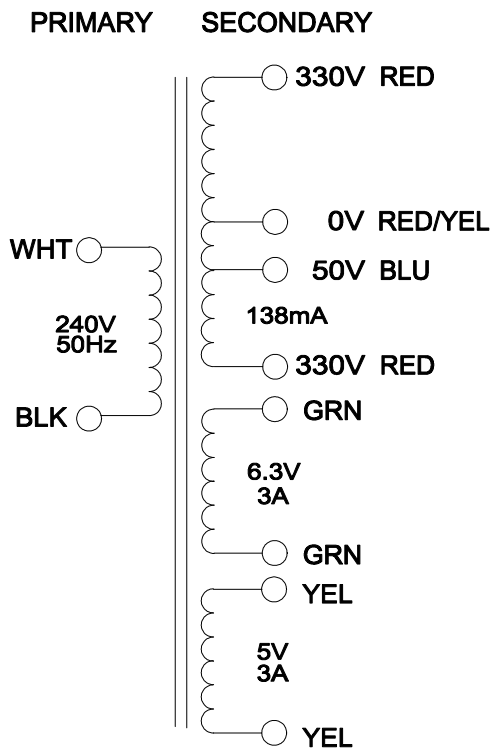
291BEX



NOTE: ALL LEADS 9" OUT MIN., STRIPPED .5"

DIMENSIONS:

A	2.813" ±0.063
B	4.063" ±0.125
C	3.375" ±0.063
D	2.048" ±0.063
E	2.250" ±0.063
F	2.813" ±0.063



ELECTRICAL DATA:

Turns ratio:	1 : 2.95 (RED - RED)	
Exciting Current	@ 240V, 50Hz, WHT - BLK = 165mA	Max.
DCR	@ 20C, WHT - BLK = 12.57 Ω	±20%
	@ 20C, RED - RED = 103.434 Ω	±20%
	@ 20C, GRN - GRN = 0.067 Ω	±20%
	@ 20C, YEL - YEL = 0.055 Ω	±20%
Pri. Voltage	240V 50Hz	
Sec. Voltage (RMS)	660VCT @ 138mA C/W 50V TAP, 6.3V @ 3A / 5V @ 3A	
No Load Voltage	701.89VCT/ 6.79V / 5.43V	

HAMMOND ELECTRONICS
 52 RANKIN PLACE,
 WATERLOO, ONTARIO, N2L 3Z5.
 PHONE (519) 886-6181
 FAX # (519) 886-9540

TITLE

291BEX

291BEX

			DR BY B.Pervaiz
			DATE 08/25/09
NO	DATE	REVISION	DIM IN(X)MM()