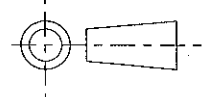


| ISS. | DATE | E.C.N. | DESCRIPTION |
|------|-----------|------------|--|
| 1 | 17-Aug-06 | | FIRST ISSUE |
| 1A | 26-Jan-11 | 10/09/1254 | DIM. TOLLERANCES CHANGED + NOTE ADDED |

© 2010 CTP-COIL
ALL DIMENSIONS IN mm

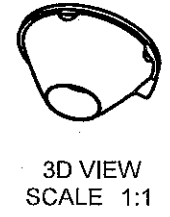
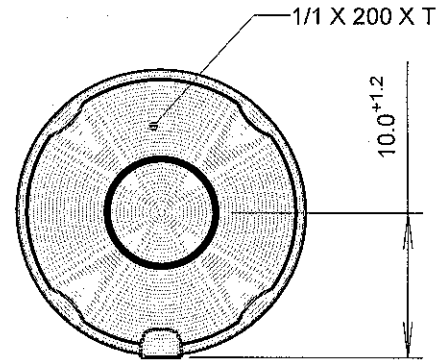


CUSTOMER DRAWING



CARCLO TECHNICAL PLASTICS (SLOUGH)
111 BUCKINGHAM AVE, SLOUGH
SL1 4PF, ENGLAND
TEL: +44 1753 575011 FAX: +44 1753 811359
e-mail: design@carclo-optics.com

- NOTES:
1. MATERIAL - UV STABILISED POLYCARBONATE
2. INCLUSIONS SPECIFIED TO BS4301



GENERAL TOLERANCES (UNLESS STATED)

| LINEAR | ANGULAR |
|---------------|---------------|
| X +/- 0.25 | X +/- 1° |
| X.X +/- 0.1 | X.X +/- 0.5° |
| X.XX +/- 0.05 | X.XX +/- 0.1° |

CUSTOMER

CARCLO

TITLE

MEDIUM CIRCULAR 14MM
OFFSET FOCUS 20MM DIA OPTIC

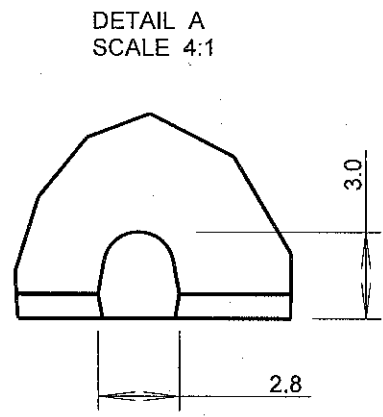
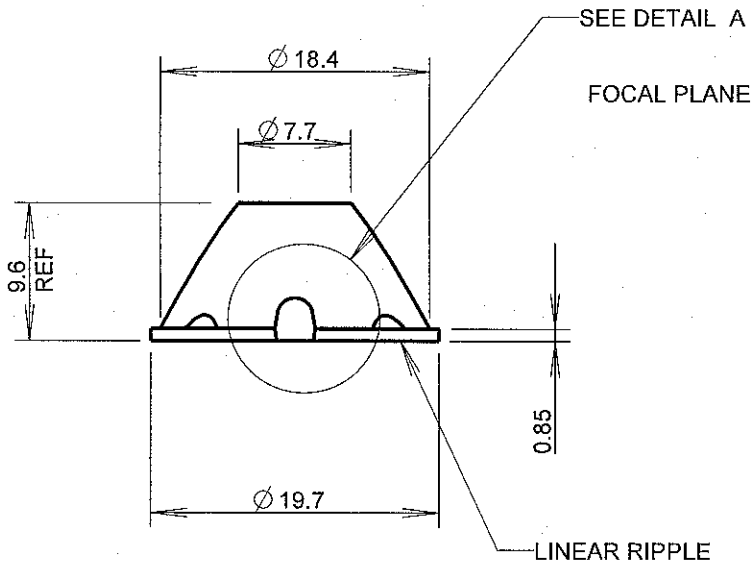
DRAWN AJD DATE 17-Aug-06

CHK'D DATE

APP'D DATE

SCALE 2:1 CARCLO PART No. 10210

SIZE A4 CARCLO DRG. No. 60438 SHEET 2 OF 2



| | | | | | | | |
|---|---|---|---|---|---|---|---|
| | A | B | C | D | E | F | G |
| 1 | | | | | | | |
| 2 | | | | | | | |
| 3 | | | | | | | |
| 4 | | | | | | | |
| 5 | | | | | | | |
| | A | B | C | D | E | F | G |