

Surface Mount Attenuator 50 Watts, 20dB

Description



The D50AA20Z4 is a high performance Alumina (Al_2O_3) Surface mount attenuator intended as a cost competitive alternative to Beryllium Oxide (BeO). The attenuator is well suited to all cellular frequency bands such as; AMPS, GSM, DCS, PCS, PHS and UMTS. The high power handling makes the part ideal for terminating circulators, and for use in power monitoring. The attenuator is also RoHS compliant!

Features:

- RoHS Compliant
- 50 Watts
- DC – 2300 MHz
- AlN Ceramic
- Non-Nichrome Resistive Element
- Low VSWR
- 100% Tested

General Specifications

| | |
|------------------------------|-------------------------------------|
| Resistive Element | Thick film |
| Substrate | Al_2O_3 Ceramic |
| Terminal Finish | Matte Tin over Nickel Barrier |
| Operating Temperature | -55 to +200°C (see de rating chart) |

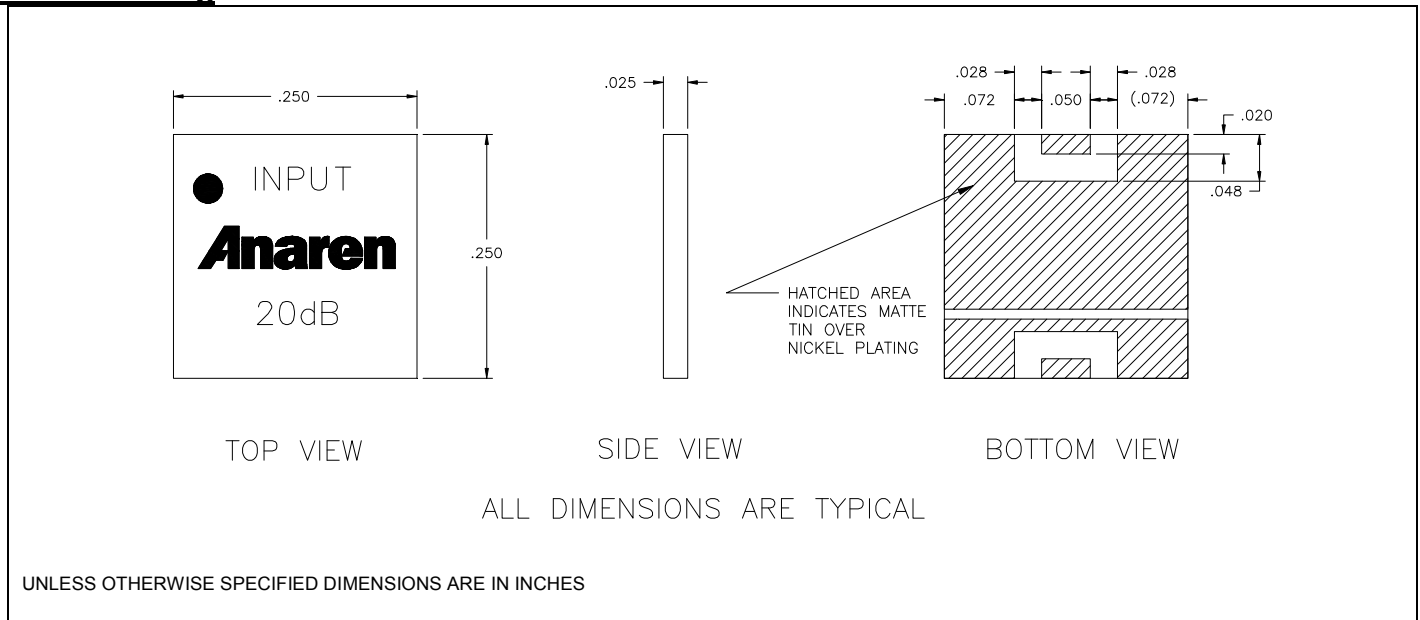
Tolerance is $\pm 0.010"$, unless otherwise specified. Designed to meet or exceed applicable portions of MIL-E-5400. **All dimensions in inches.**

Electrical Specifications

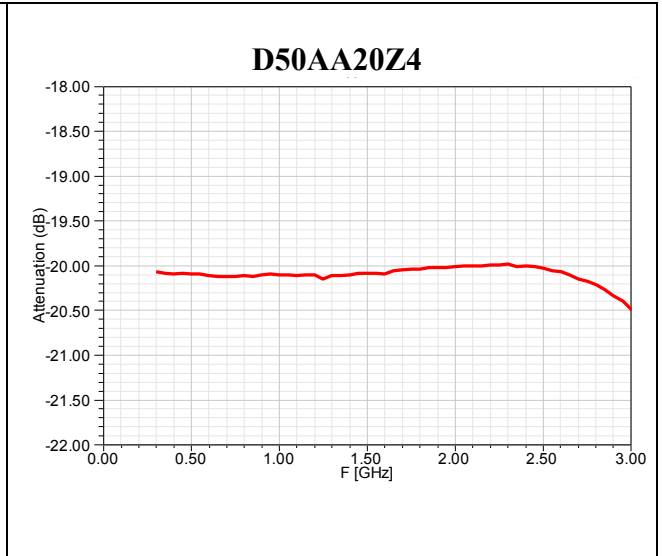
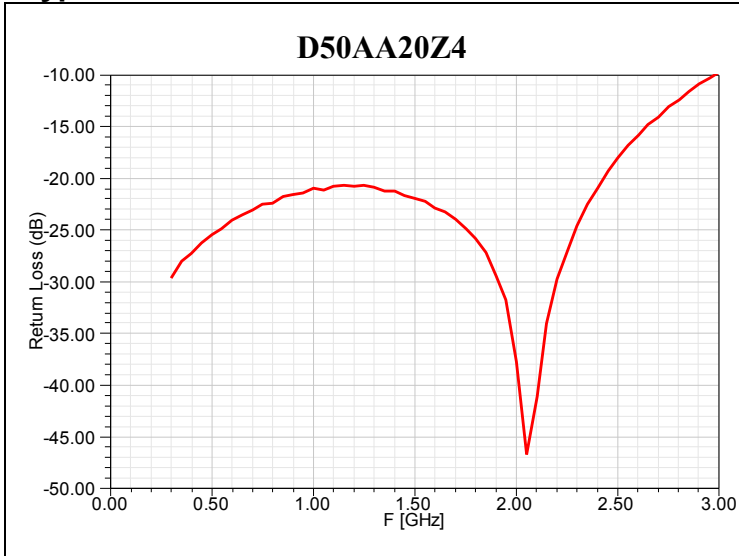
| | | |
|---------------------------|---------------|--------------|
| Attenuation Value: | 20 dB | ± 0.5 dB |
| Power: | 50 Watts | |
| Frequency Range: | DC – 2300 MHz | |
| Input Return Loss: | 20 dB | |

Specification based on unit properly installed using suggested mounting instructions and a 50 ohm nominal impedance. **Specifications subject to change.**

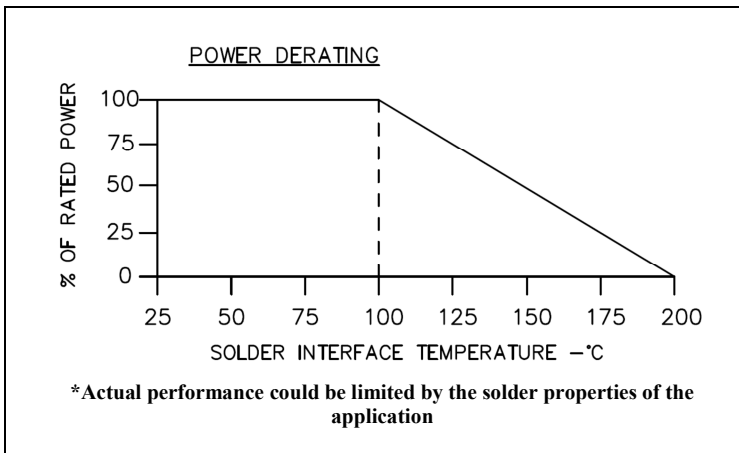
Outline Drawing



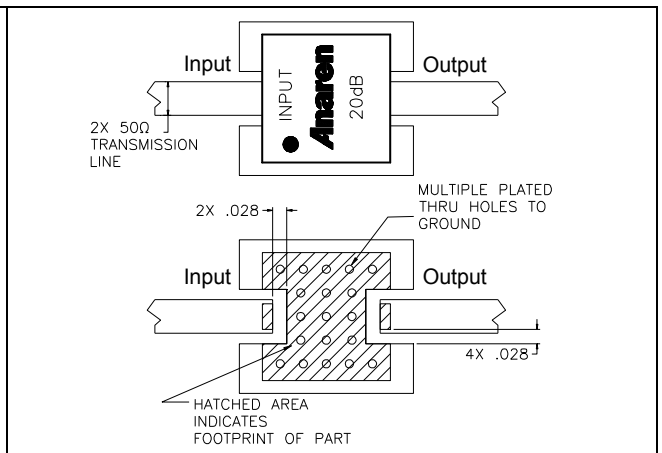
Typical Performance:



Power De-rating:



Mounting Footprint:



Tape and Reel:

