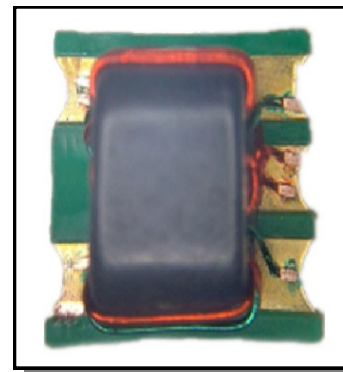


8 dB Coupler 40 - 1250 MHz

Rev. V2

Features

- Surface mount
- 8dB Coupler
- 260°C reflow compatible
- RoHS Compliant, lead-free
- Available on tape and reel



Description

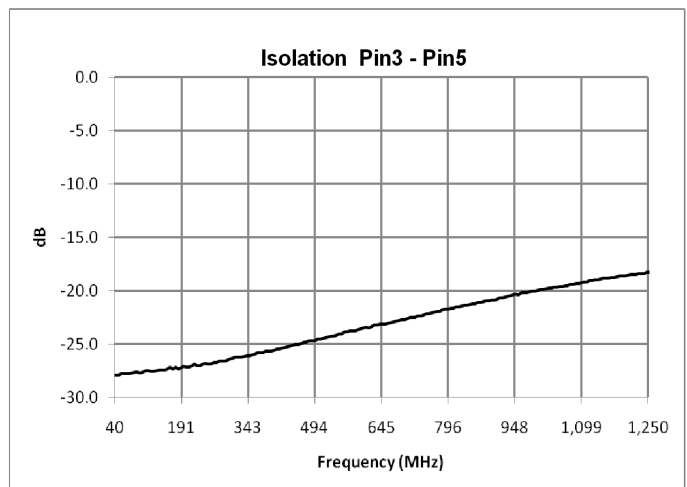
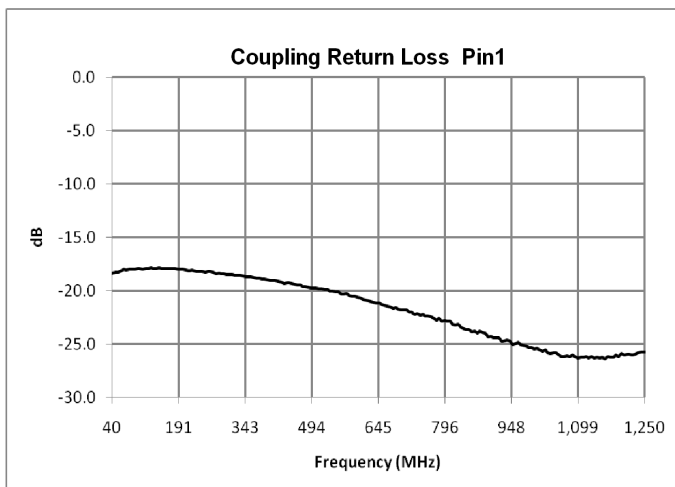
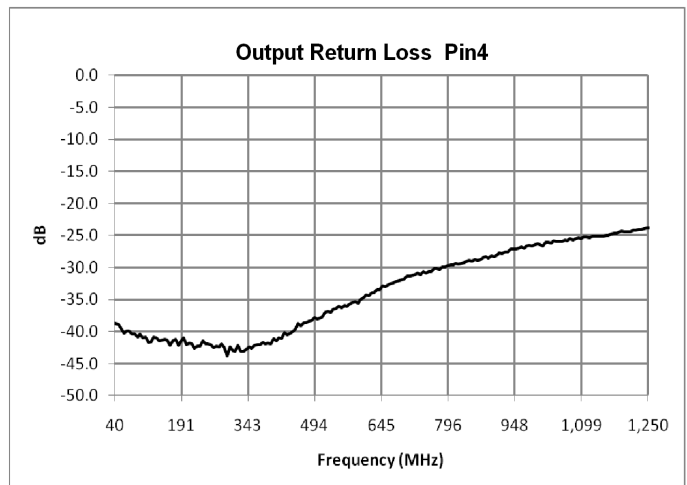
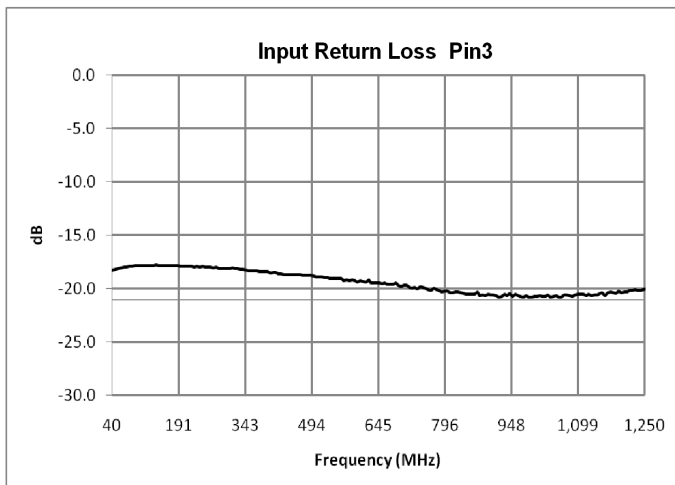
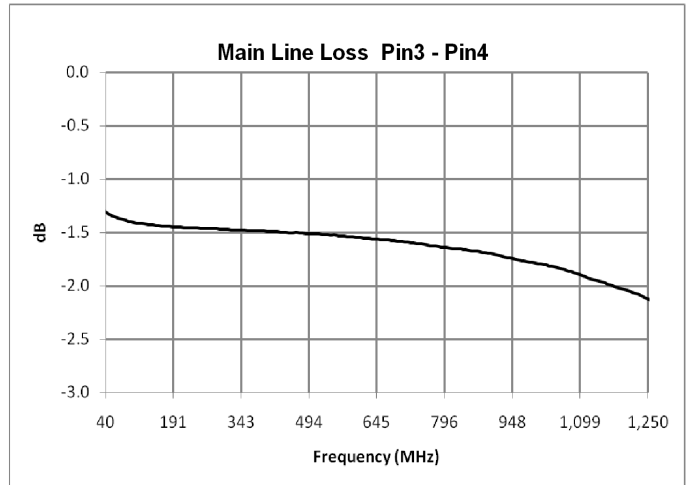
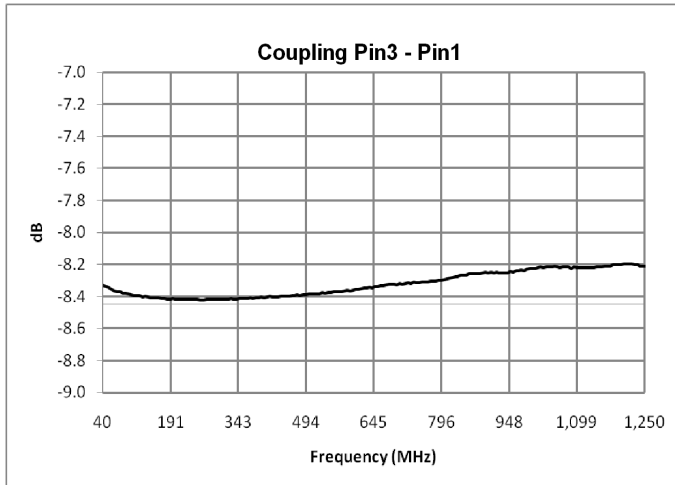
MACOM's MACP-011015 is a 8dB coupler in a low cost, surface mount package. Ideally suited for broadband CATV applications.

Electrical Specifications: $Z_0 = 75\Omega$, $T_A = 25^\circ\text{C}$, $P_{in} = 0\text{dBm}$

Parameter	Conditions	Units	Min	Typ	Max
Frequency Range		MHz	40		1250
Impedance		Ω	-	75	-
Coupling (Pin3 - Pin1)	40 - 1250 MHz		7.5	8	8.5
Main Line Loss (Pin3 - Pin4)	40 - 870 MHz	dB	-	1.5	1.9
	870- 1250 MHz	dB	-	1.9	2.3
Input Return Loss (Pin3)	40 - 1250 MHz	dB	17	19	-
Output Return Loss (Pin4)	40 - 1250 MHz	dB	18	30	- - -
Coupled Return Loss (Pin1)	40 - 1250 MHz	dB	17	20	- -
Isolation (Pin3-Pin5))	40 - 500 MHz	dB	23	27	-
	500 - 1250 MHz	dB	16.5	21	-
Directivity	40 - 500 MHz	dB	15	18	-
	500 - 1250 MHz	dB	8	12	-

8 dB Coupler 40 - 1250 MHz

Rev. V2

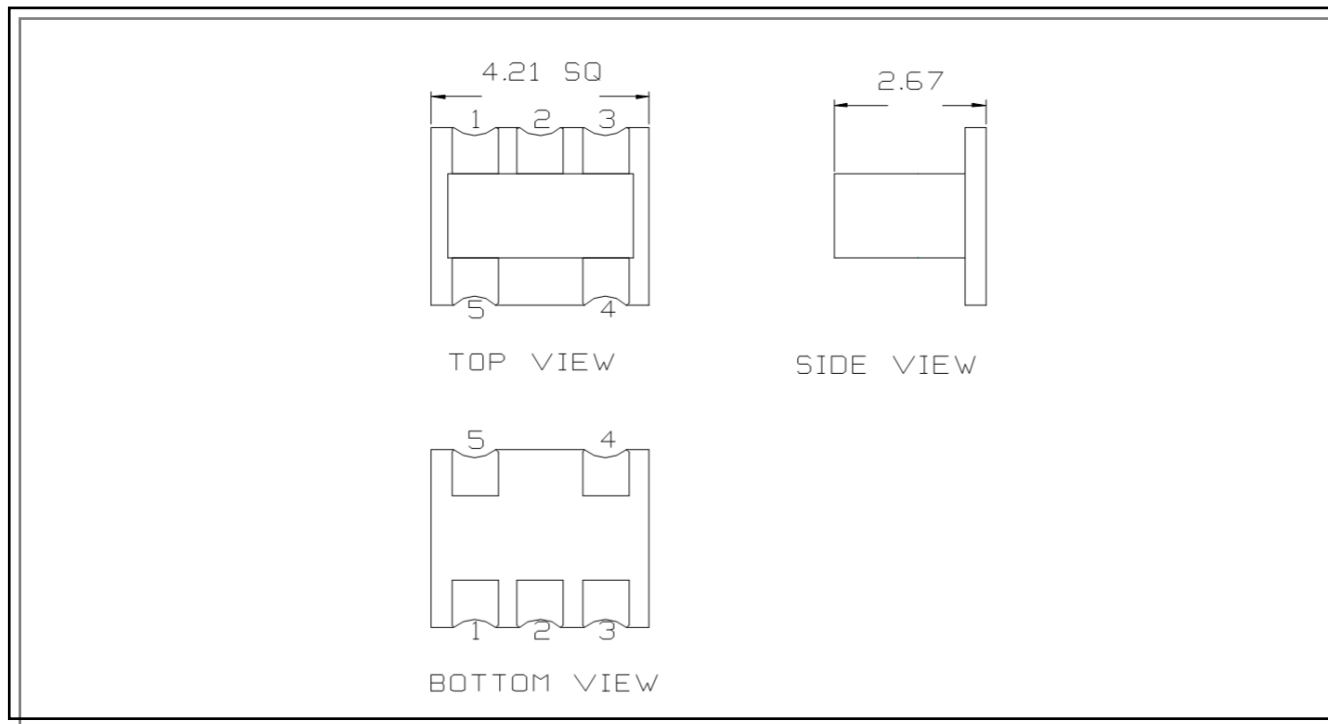


Electrical Specifications: $Z_0 = 75\Omega$, $T_A = 25^\circ\text{C}$, $P_{in} = 0\text{dBm}$

8 dB Coupler
40 - 1250 MHz

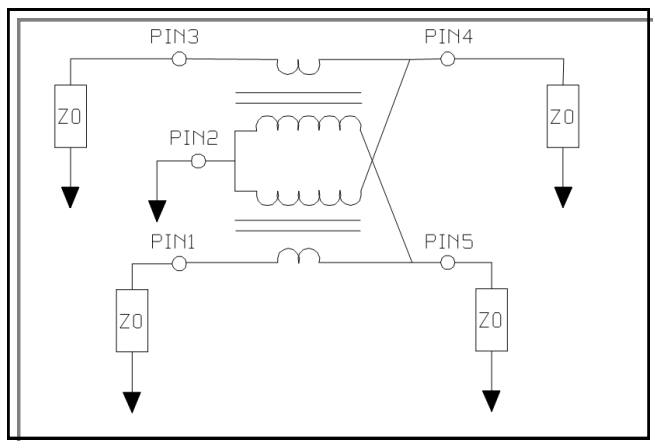
Rev. V2

Outline Drawing

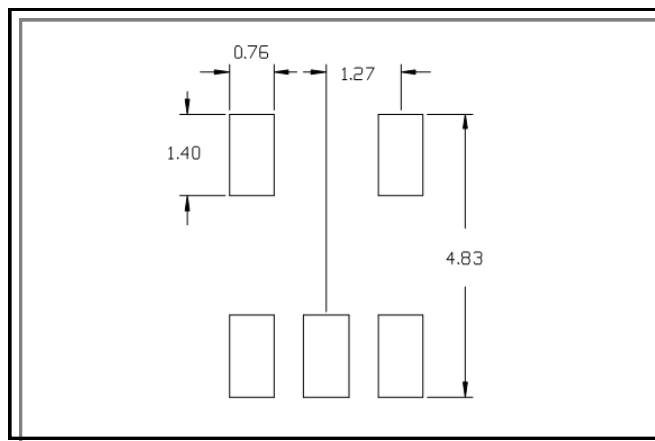


1. Dimensions in mm.
2. Tolerance: ± 0.2 mm unless otherwise noted.
3. Model number and lot code are printed on the reel.
4. Finish: Electroless nickel immersion gold (ENIG)

Application Circuit



Recommended Footprint



8 dB Coupler
40 - 1250 MHz

Rev. V2

Tape & Reel Information

Parameter	Units	Value
Qty per reel	-	2000
Reel Size	mm	330
Tape Width	mm	12.00
Pitch	mm	8.00
Ao	mm	4.50
Bo	mm	4.50
Ko	mm	3.2
Orientation	-	F31
Reference Application Note ANI-019 for orientation		

Ordering Information

Part Number	Description
MACP-011015	Tape & Reel
MACP-011015-TB	Customer Test Board

Recommended Maximum Ratings

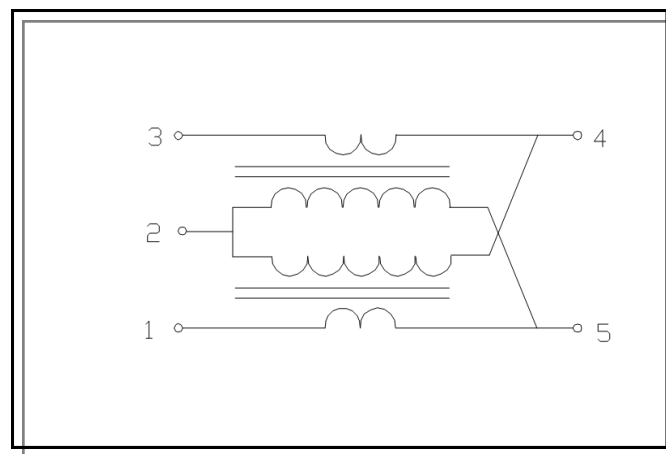
Parameter	Units	Min	Max
Input Power	mW		250
DC Current	mA		30
Operating Temperature Range	°C	-40	+85

Full temperature plots available on request

Pin Configuration

Pin No.	Function
1	Coupled
2	Ground
3	Input
4	Output
5	External 75Ω

Schematic



M/A-COM Technology Solutions Inc. All rights reserved.

Information in this document is provided in connection with M/A-COM Technology Solutions Inc ("MACOM") products. These materials are provided by MACOM as a service to its customers and may be used for informational purposes only. Except as provided in MACOM's Terms and Conditions of Sale for such products or in any separate agreement related to this document, MACOM assumes no liability whatsoever. MACOM assumes no responsibility for errors or omissions in these materials. MACOM may make changes to specifications and product descriptions at any time, without notice. MACOM makes no commitment to update the information and shall have no responsibility whatsoever for conflicts or incompatibilities arising from future changes to its specifications and product descriptions. No license, express or implied, by estoppel or otherwise, to any intellectual property rights is granted by this document.

THESE MATERIALS ARE PROVIDED "AS IS" WITHOUT WARRANTY OF ANY KIND, EITHER EXPRESS OR IMPLIED, RELATING TO SALE AND/OR USE OF MACOM PRODUCTS INCLUDING LIABILITY OR WARRANTIES RELATING TO FITNESS FOR A PARTICULAR PURPOSE, CONSEQUENTIAL OR INCIDENTAL DAMAGES, MERCHANTABILITY, OR INFRINGEMENT OF ANY PATENT, COPYRIGHT OR OTHER INTELLECTUAL PROPERTY RIGHT. MACOM FURTHER DOES NOT WARRANT THE ACCURACY OR COMPLETENESS OF THE INFORMATION, TEXT, GRAPHICS OR OTHER ITEMS CONTAINED WITHIN THESE MATERIALS. MACOM SHALL NOT BE LIABLE FOR ANY SPECIAL, INDIRECT, INCIDENTAL, OR CONSEQUENTIAL DAMAGES, INCLUDING WITHOUT LIMITATION, LOST REVENUES OR LOST PROFITS, WHICH MAY RESULT FROM THE USE OF THESE MATERIALS.

MACOM products are not intended for use in medical, lifesaving or life sustaining applications. MACOM customers using or selling MACOM products for use in such applications do so at their own risk and agree to fully indemnify MACOM for any damages resulting from such improper use or sale.